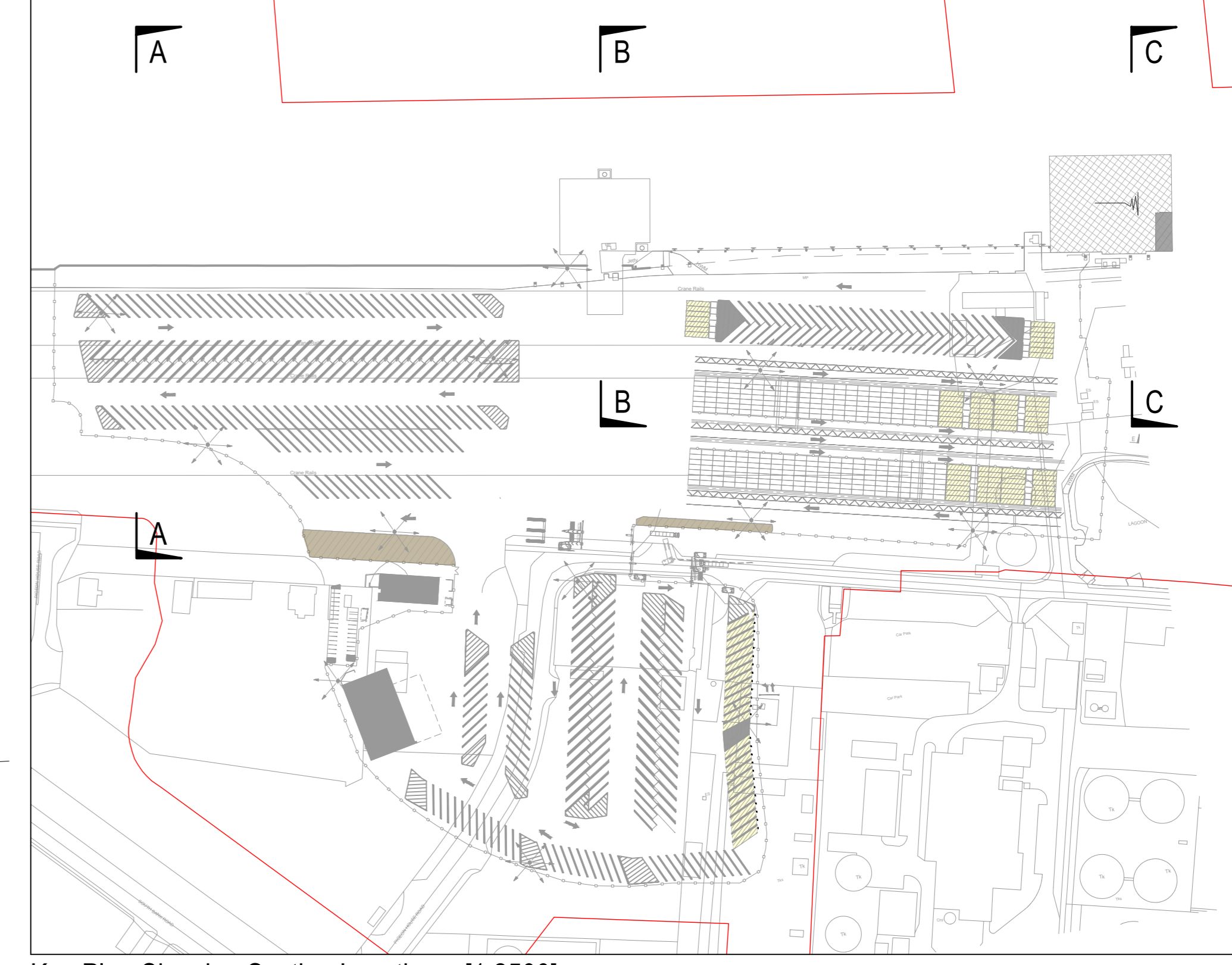
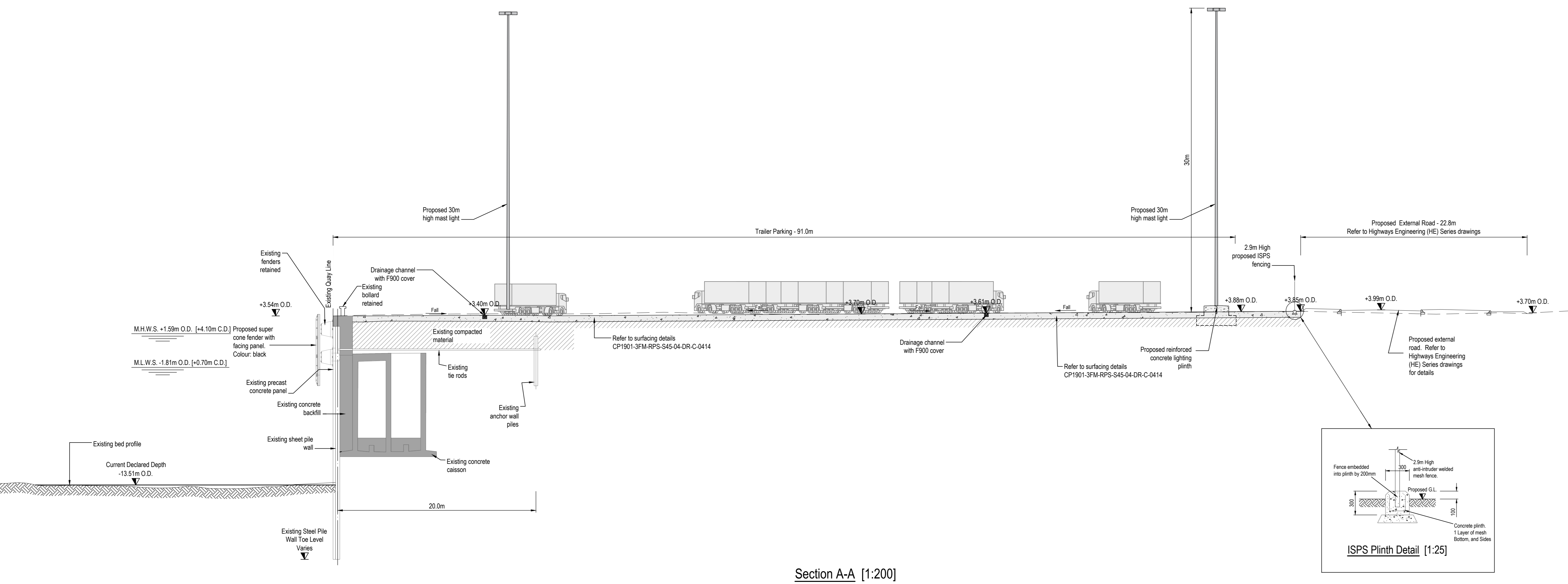


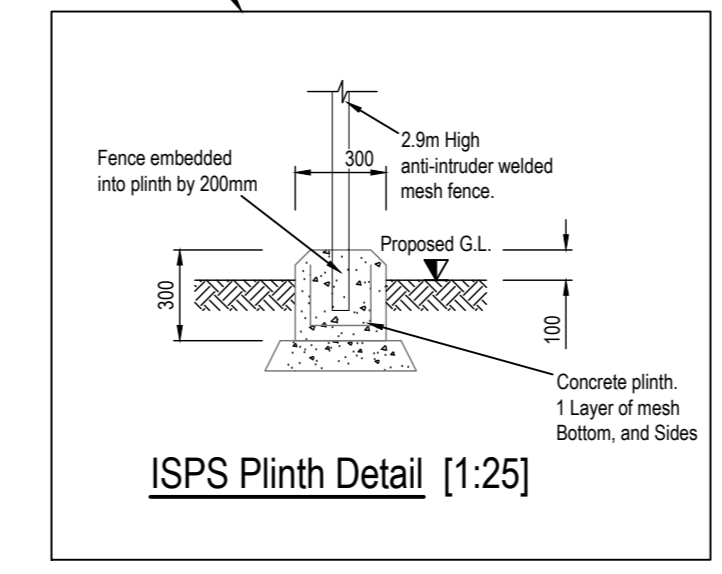
- NOTES**
1. Verifying Dimensions. Dimensions shall be verified against such other drawings or site conditions as pertain to this part of the work.
 2. Existing Services. Any information concerning the location of existing services indicated on this drawing is intended for general guidance only.
 3. Datum. Ordnance Datum Malin (unless noted otherwise).
 4. ESSB refers to Electricity Service Board. CD refers to Chart Datum. OD refers to Ordnance Datum Malin.
 5. For section locations refer to CP1901-3FM-RPS-S45-04-DR-C-0403 to 0406.
 6. Proposed Drainage Layout refer to CP1901-3FM-RPS-S45-04-DR-C-0418 to 0421.
 7. Proposed Surfacing Details refer to CP1901-3FM-RPS-S45-04-DR-C-0414 to 0417.
 8. Proposed Surface Levels refer to CP1901-3FM-RPS-S45-04-DR-C-0424 to 0427.
 9. Building Details refer to CP1901-3FM-RPS-S45-04-DR-C-0450 to 0455.
 10. Refer to Highways Engineering (HE) Series drawings for External Road Network details.
- Planning Boundary under this application



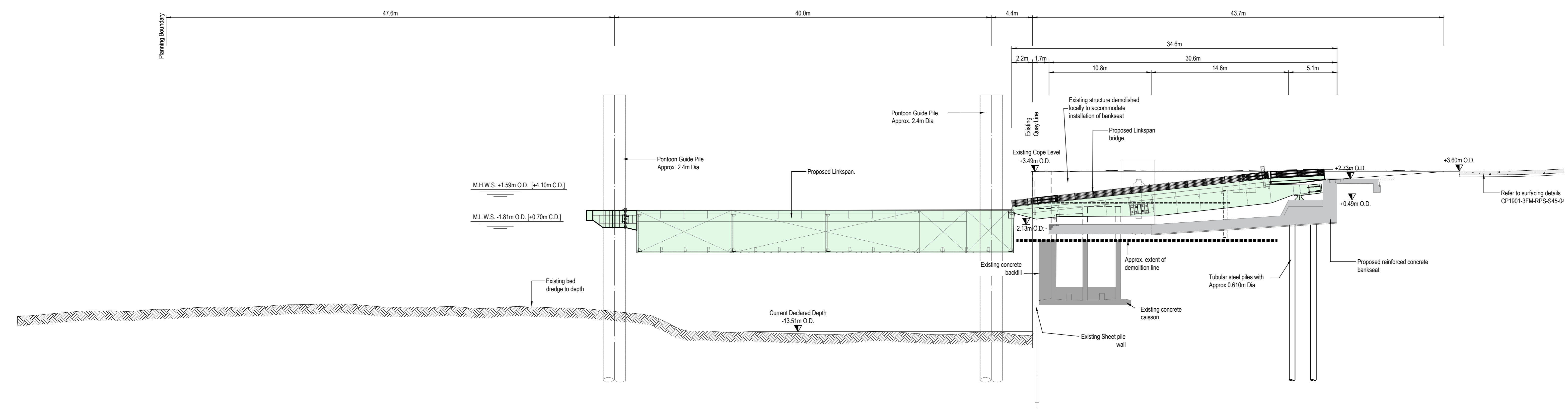
Key Plan Showing Section Locations [1:2500]



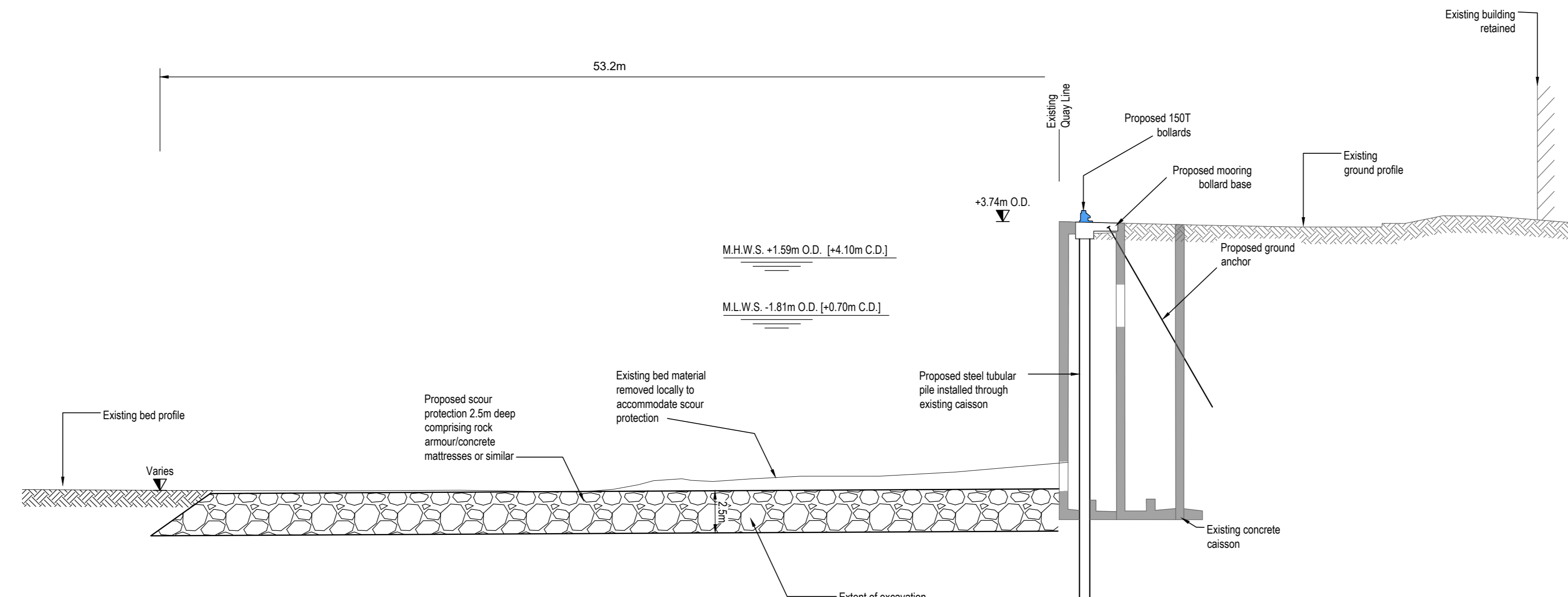
Section A-A [1:200]



ISPS Plinth Detail [1:25]



Section B-B [1:200]



Section C-C [1:200]

PM	Revised for Planning Issue	M.H.	28/06/2024
rev	amendments	check	date
		T +44 (0) 28 30 667914 F +44 (0) 28 30 666286 W www.rpsgroup.com/ireland E ireland@rpsgroup.com	
Client 			
Project 			
Title Ro-Ro Terminal (Area K) Proposed Cross Sections A B and C			
Project Number	Sheet Size	Drawing Scale	
IBM0842	A0	As Shown	
Drawing Number			
CP1901-3FM-RPS-S45-04-DR-C-0407			
Drawn By	Status	Revision	
M.H.	S4	P04	
Checked By	Approved By	Date	
E.H.	M.McC.	19/12/2022	