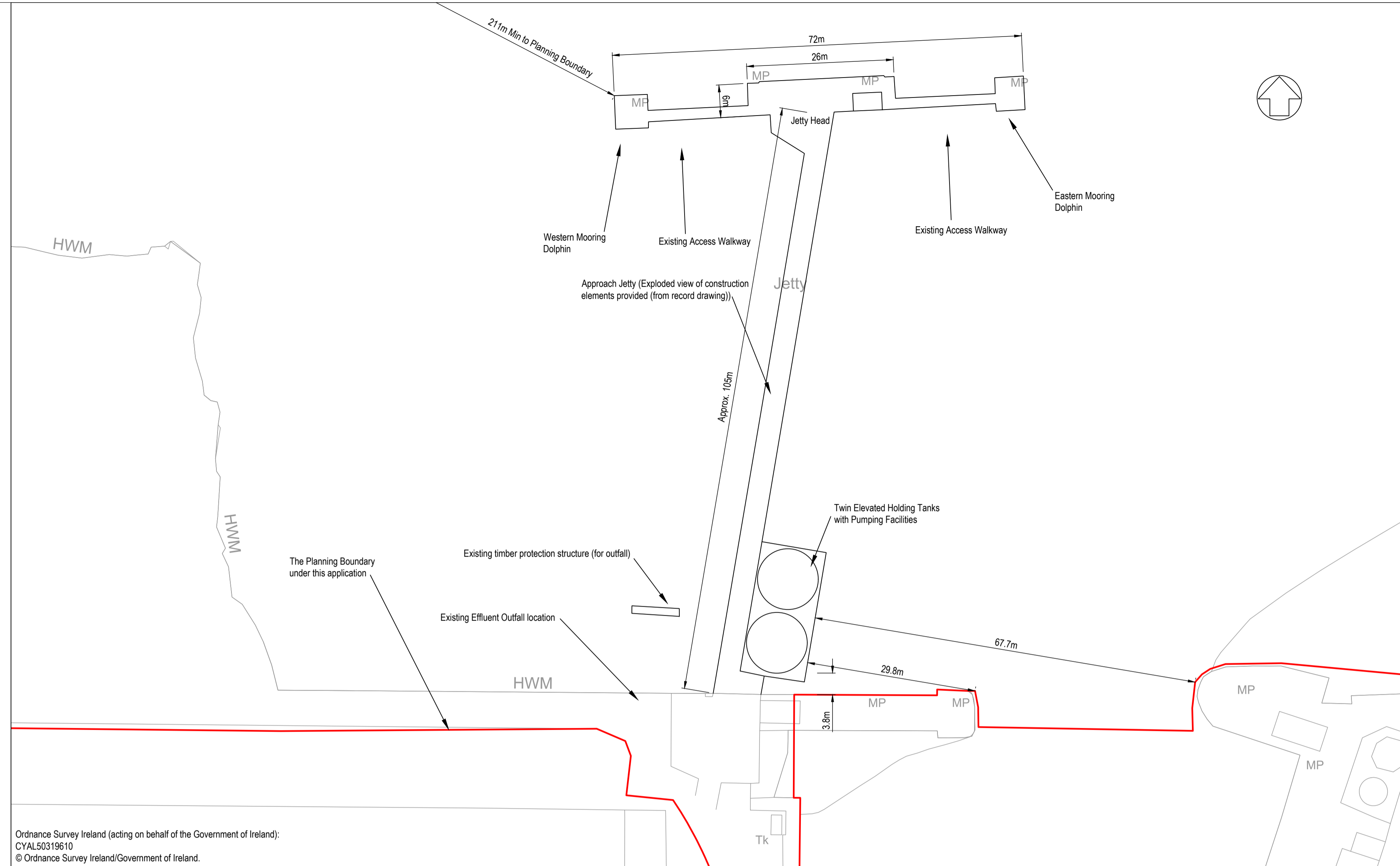
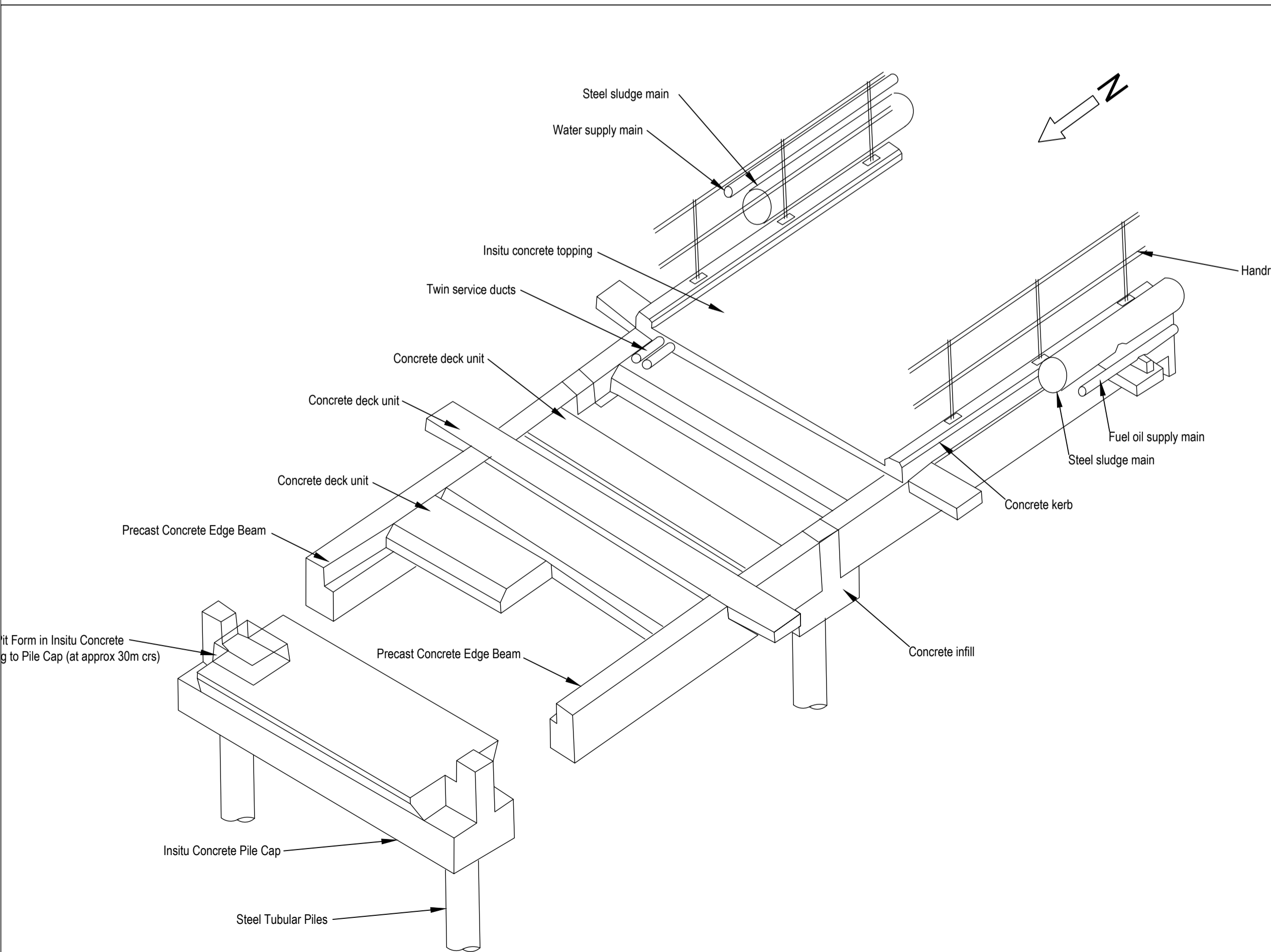


Overall Key Plan showing
Location of Existing Sludge Jetty [1:25000]



Ordnance Survey Ireland (acting on behalf of the Government of Ireland):
CYAL50319610
© Ordnance Survey Ireland/Government of Ireland.

Existing Sludge Access Jetty-General Arrangement [1:500]



Exploded View of Approach Jetty Construction Elements [1:500]

NOTES

1. Verifying Dimensions.
Dimensions shall be verified against such other drawings or site conditions as pertain to this part of the work.
2. Existing Services.
Any information concerning the location of existing services indicated on this drawing is intended for general guidance only.
3. Datum. Ordnance Datum Malin (unless noted otherwise)
4. CD refers to Chart Datum
OD refers to Ordnance Datum Malin
5. For section locations refer to
CP1901-3FM-RPS-S45-05-DR-C-0501

rev	amendments	M.H.	check	date
P01	Revised for Planning Issue			28/06/2024

rps Elmwood House
74 Boucher Road
Belfast
BT12 6RZ
T +44 (0) 28 90 667914
F +44 (0) 28 90 668286
W www.rpsgroup.com/ireland
E ireland@rpsgroup.com

Client
COMHLAcht CHALAFORT
ÁTHA CLIATH
DUBLIN PORT COMPANY

Project
3FMProject Bridging
Dublin Port
to 2040

Title
Ship Turning Circle
Existing Sludge Jetty

Project Number	Sheet Size	Drawing Scale
IBM0842	A1	1:500

Drawing Number
CP1901-3FM-RPS-S45-05-DR-C-0504

Drawn By	Status	Revision
J.R.	S4	P01

Checked By	Approved By	Date
E.M.	M.McC.	06/10/2023