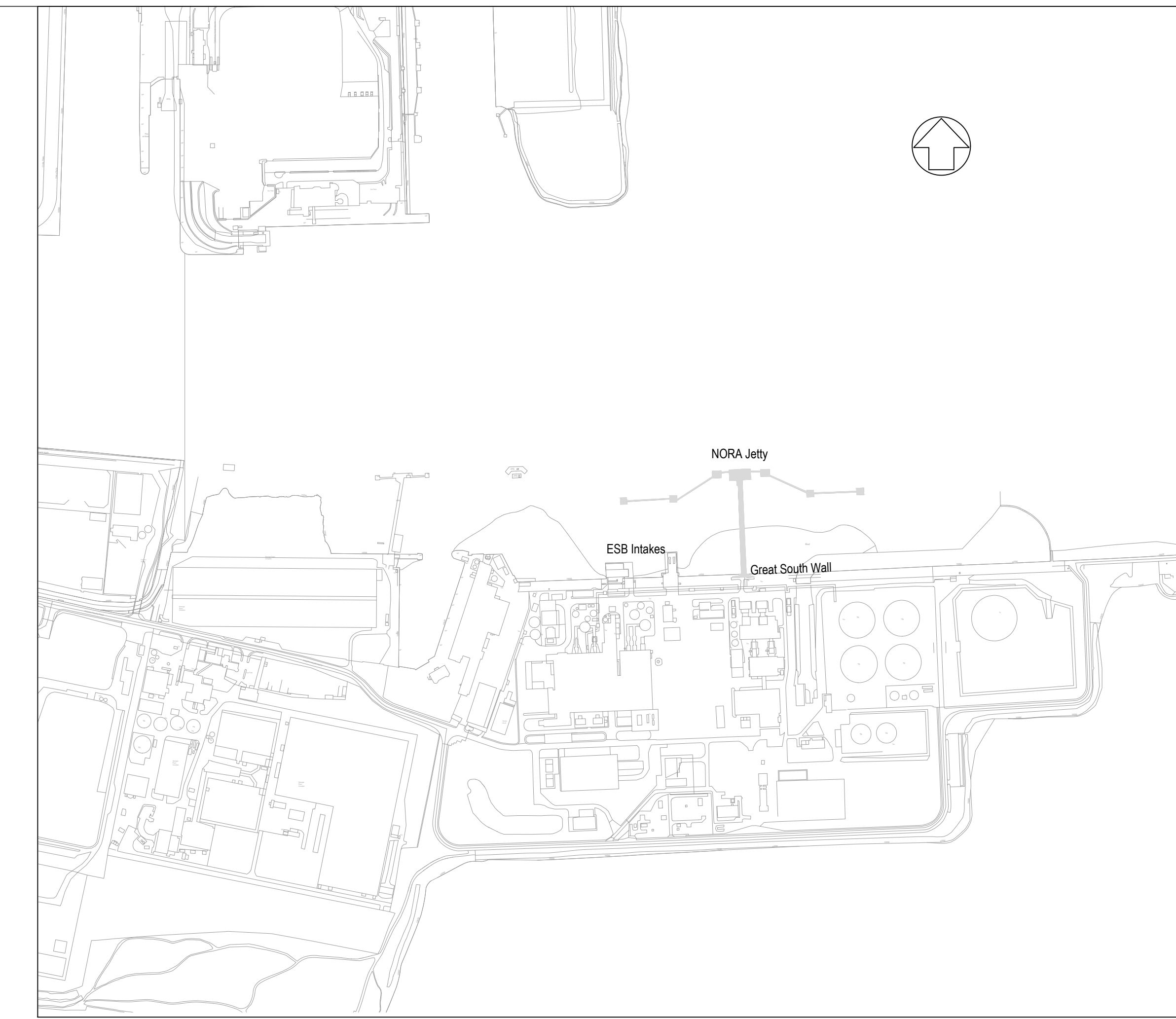


**A** General Arrangement of Existing Oil Jetty [1:500]

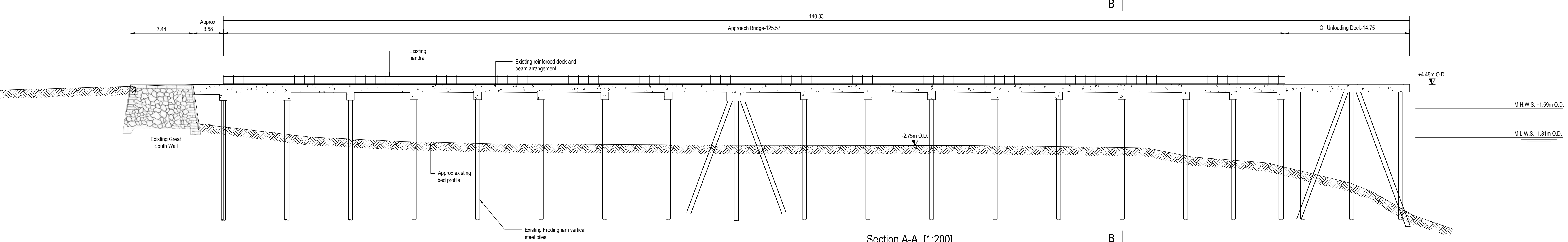
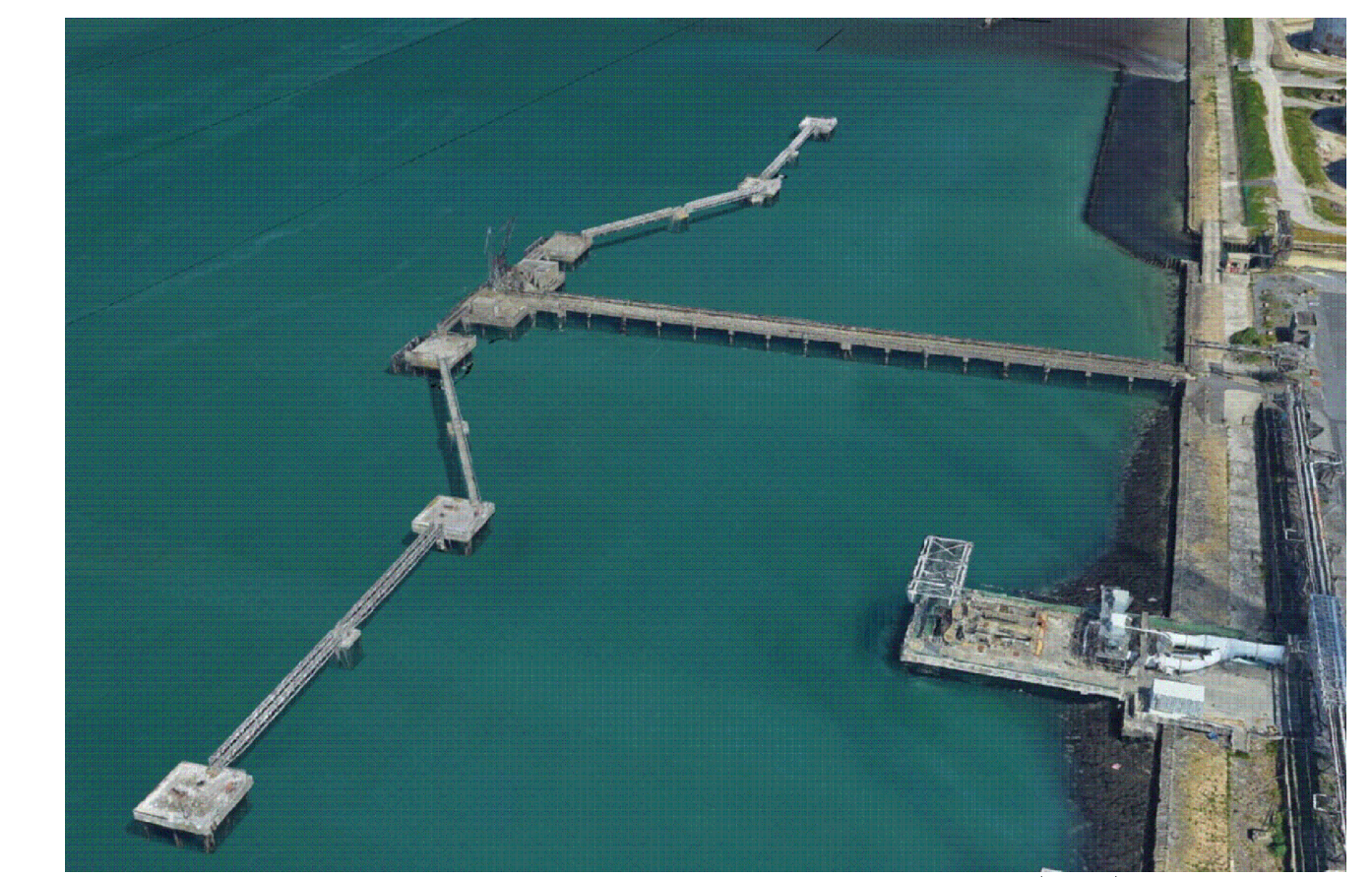


Ordnance Survey Ireland (acting on behalf of the Government of Ireland):  
CYAL50319610  
© Ordnance Survey Ireland/Government of Ireland.

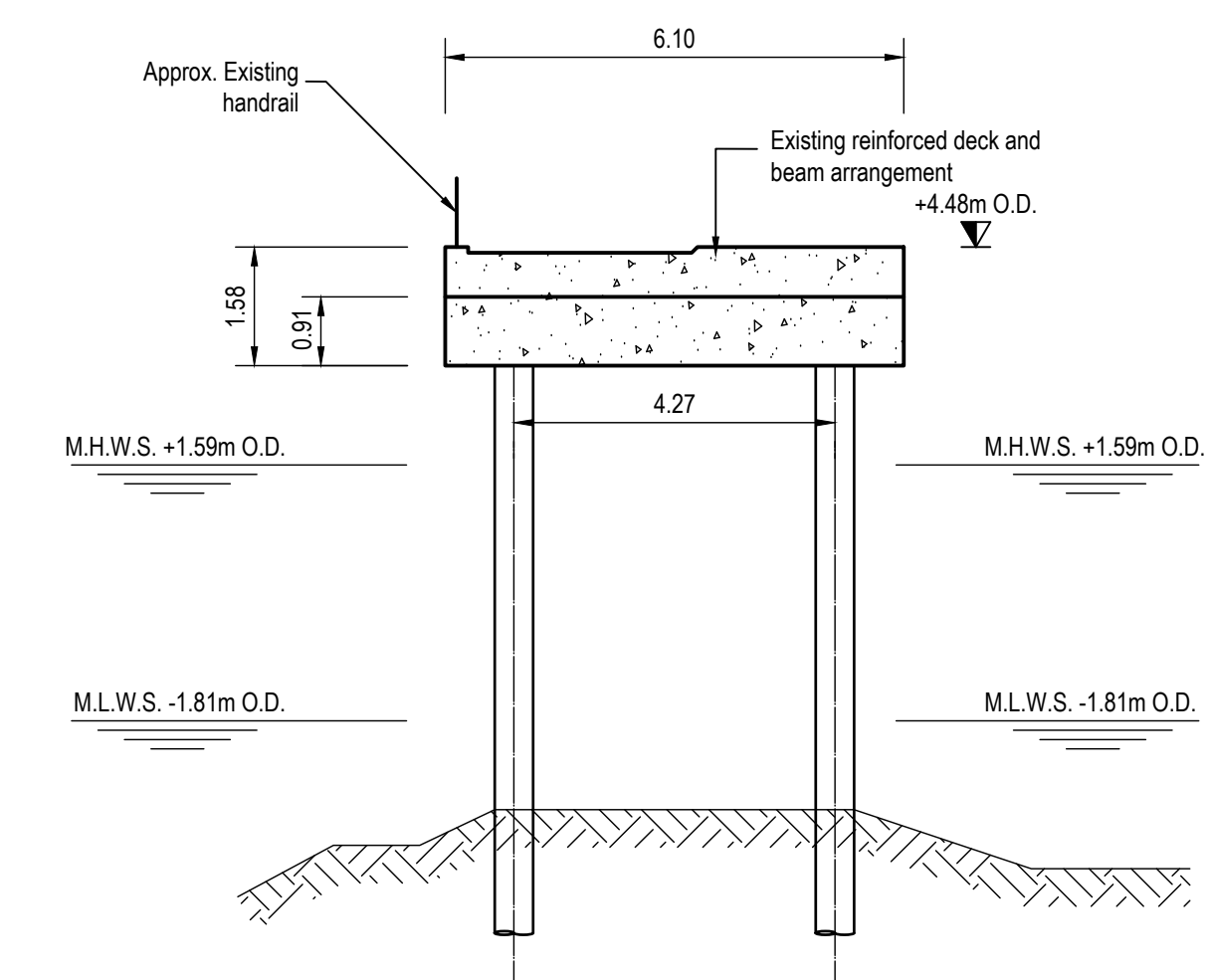
**Key Plan showing Location of Jetty [1:5000]**

- NOTES**
1. Verifying Dimensions. The contractor shall verify dimensions against such other drawings or site conditions as pertain to this part of the work.
  2. Existing Services. Any information concerning the location of existing services indicated on this drawing is intended for general guidance only. It shall be the responsibility of the contractor to determine and verify the exact horizontal and vertical alignment of all cables, pipes, etc. (both underground and overhead) before work commences.
  3. Issue of Drawings. Hard copies, dwf and pdf will form a controlled issue of the drawing. All other formats (dwg, dxf etc) are deemed to be an uncontrolled issue and any work carried out based on these files is at the recipient's own risk. RPS will not accept any responsibility for any errors arising from the use of these files, either by human error or the recipient, listing of on-dimensional measurements, compatibility issues with the recipient's software, and any errors arising when these files are used to aid the recipient's drawing production, or setting out on site.
  4. Datum: Ordnance Datum Malin (Unless noted otherwise)
  5. To be read in conjunction with CP1901-3FM-RPS-S45-06-DR-C-0625 Demolition Layout of Existing Structures for Plot N

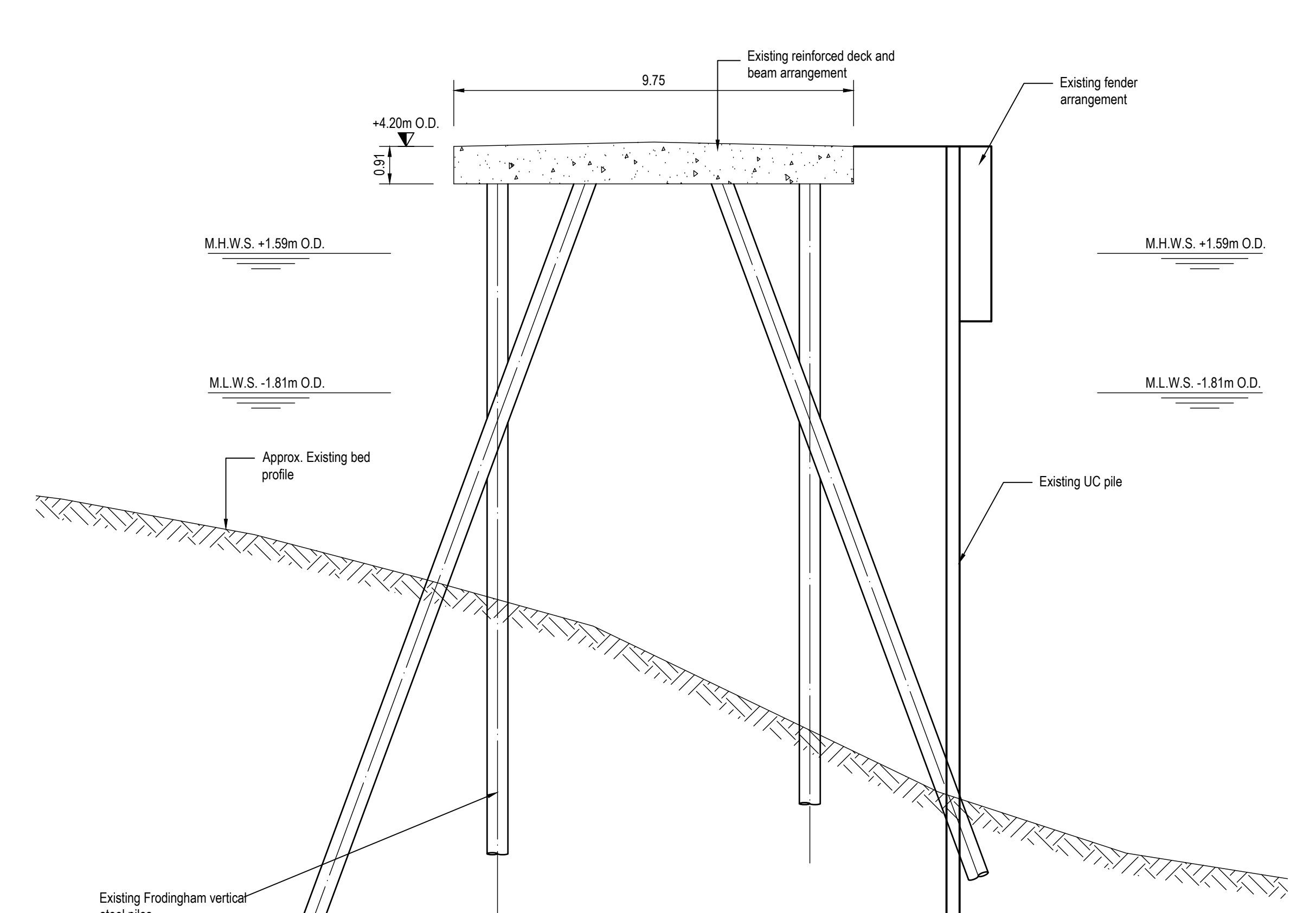
Extent of Demolition



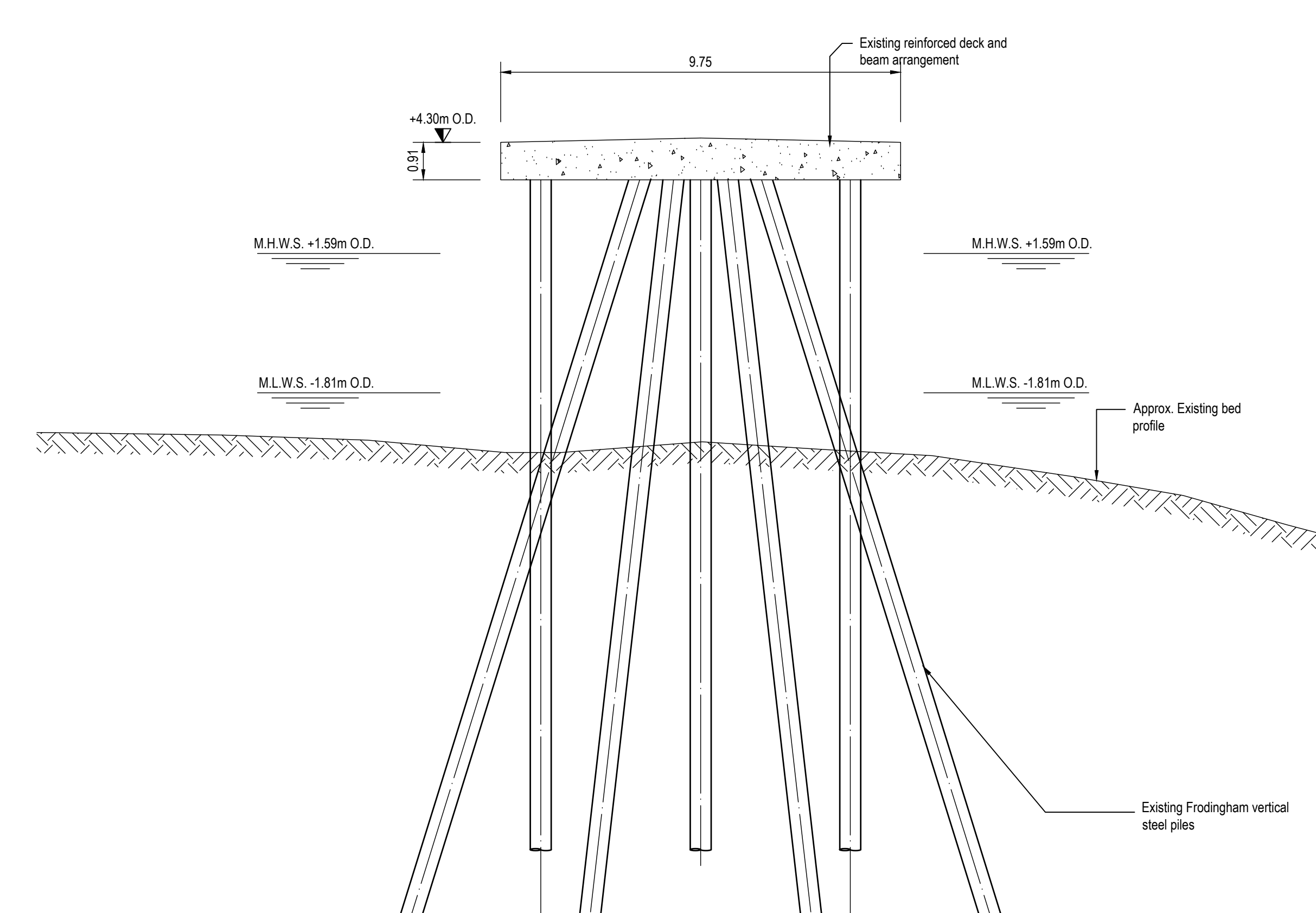
**Section A-A [1:200]**



**Section B-B [1:100]**



**Section C-C Breasting Dolphin [1:100]**



**Section D-D Mooring Dolphin [1:100]**

P01	Revised for Planning Issue	M.H.	17/06/2024
rev	amendments	check	date
Client			
Dublin Port Company			
Project			
Dublin Port 3FM Project			
Title			
Lo-Lo Container Terminal (Area N) Existing Oil Jetty Details			
Project Number	Sheet Size	Drawing Scale	
IBM0842	A0	1:100 UNO	
Drawing Number			
CP1901-3FM-RPS-S45-06-DR-C-0629			
Drawn By	Status	Revision	
M.H.	S4	P01	
Checked By	Approved By	Date	
K.A.G.	MMcC	18/10/2023	