

SANDYMOUNT STRAND

NOTES

- This document is the property of RPS. The design information contained herein is strictly confidential. This document is not to be used, reproduced, disclosed or circulated in whole or in part without the prior written permission in each instance of RPS.
- Issue of Drawings. Hard copies, dxf and pdf will form a controlled issue of the drawing. All other formats (dwg, dxf etc.) are deemed to be an uncontrolled issue and any work carried out based on these files is at the recipient's own risk. RPS will not accept any responsibility for any errors arising from the use of these files, either by human error or by the recipient. Listing of un-dimensioned measurements, compatibility issues with the recipient's software, and any errors arising when these files are used to aid the recipient's drawing production, or setting out on site.

LEGEND

- VEELITE SUPRA LED LIGHT HIGH PERFORMANCE 565W, 4000K
- 20 LUX CONTOUR
- 5 LUX CONTOUR
- EXTENT OF AREA O
- RED LINE PLANNING BOUNDARY IN THIS APPLICATION

Luminaire Location Summary

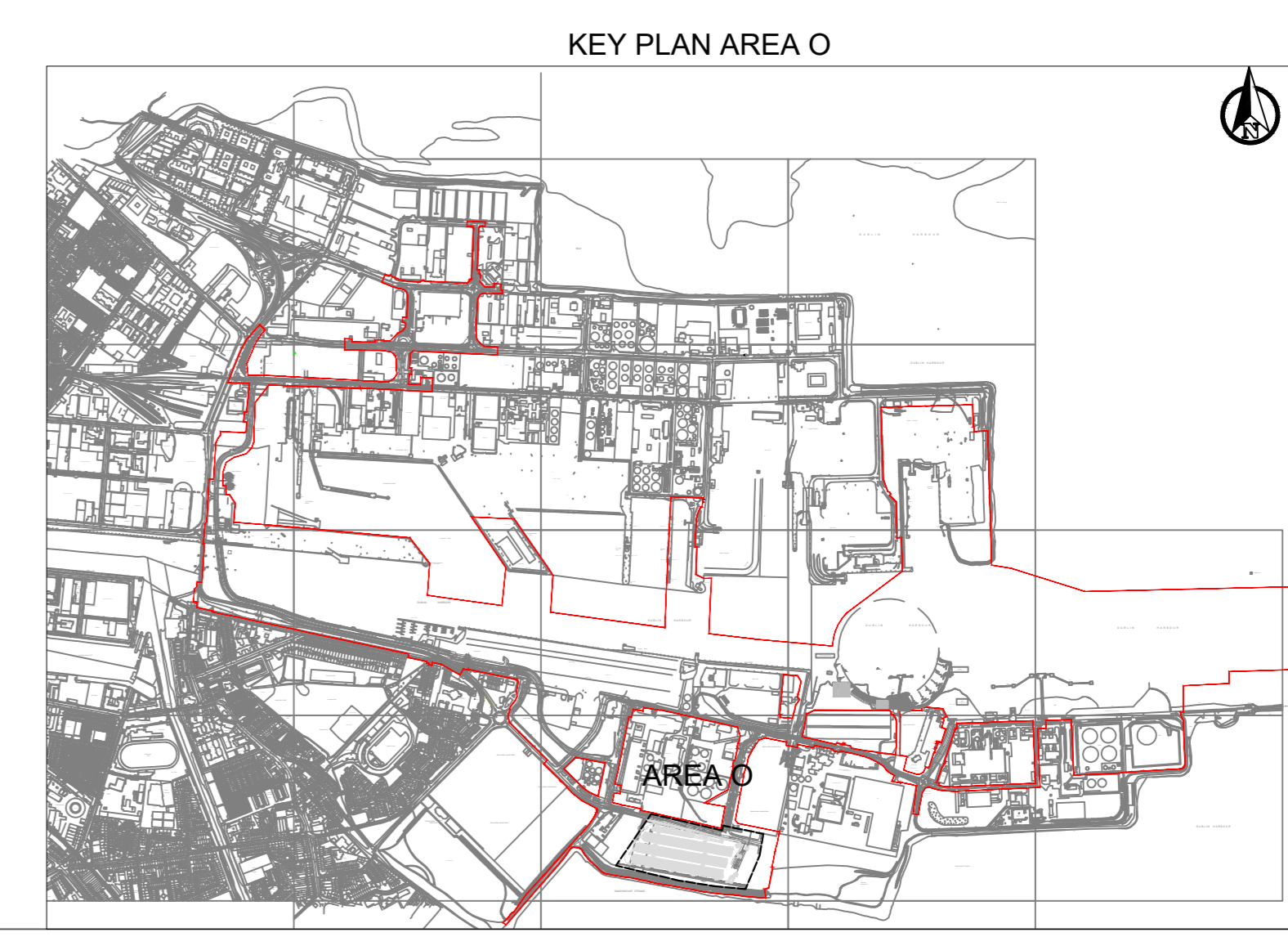
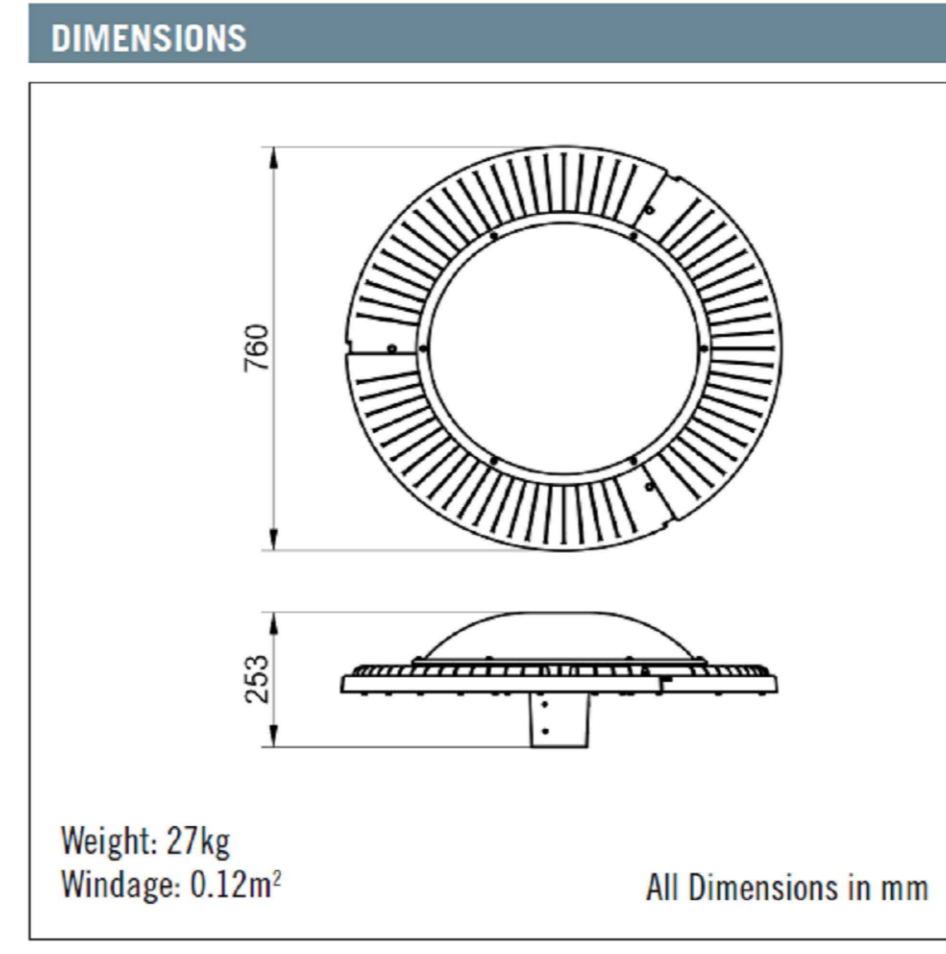
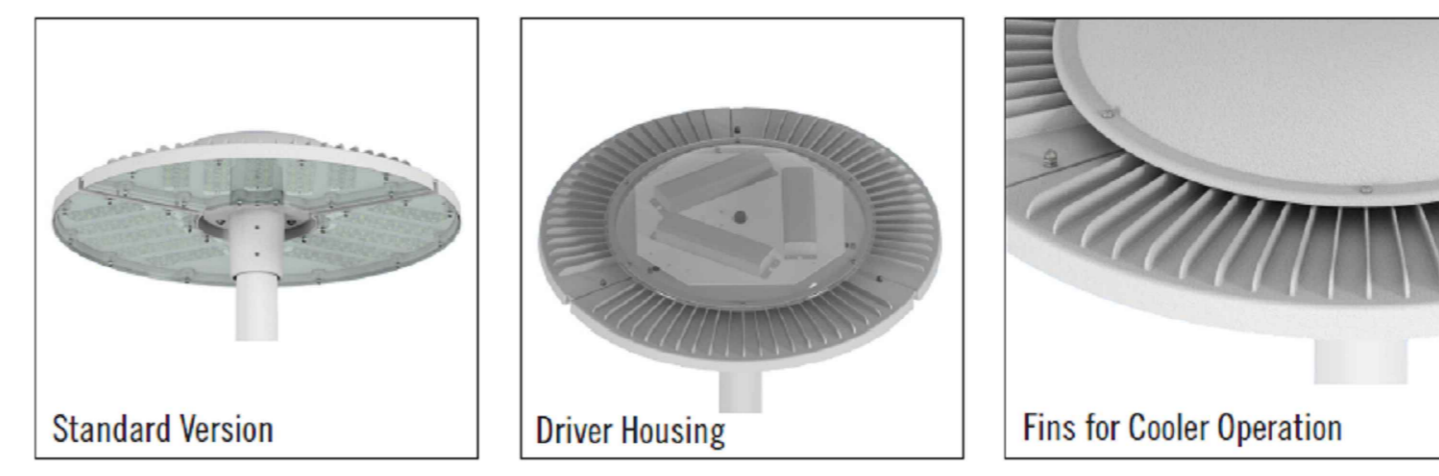
LumNo	Label	X	Y	Z	Orient	Tilt
1	S065-S	143.7	197.1	15	0	0
2	S065-S	187	190	15	0	0
3	S065-S	243.2	179.1	15	0	0
4	S065-S	102.3	188.5	15	0	0
5	S065-S	205.9	165.4	15	0	0
6	S065-S	160.8	155.6	15	0	0
7	S065-S	349.7	150.8	15	0	0
8	S065-S	222.1	144.6	15	0	0
9	S065-S	275.5	132.7	15	0	0
10	S065-S	76.5	132	15	0	0
11	S065-S	431.9	127	15	0	0
12	S065-S	381.3	125	15	0	0
13	S065-S	333.3	124.7	15	0	0
14	S065-S	134.9	121.3	15	0	0
15	S065-S	200	109.4	15	0	0
16	S065-S	261.2	98.7	15	0	0
17	S065-S	408.5	88.5	15	0	0
18	S065-S	61.2	86	15	0	0
19	S065-S	321.8	67.9	15	0	0
20	S065-S	112.5	66.5	15	0	0
21	S065-S	360.5	60.9	15	0	0
22	S065-S	163	77.5	15	0	0
23	S065-S	273.8	68.4	15	0	0
24	S065-S	264.4	59.3	15	0	0
25	S065-S	288.7	51	15	0	0
26	S065-S	305.4	42.7	15	0	0
27	S065-S	348.6	36.9	15	0	0
Total Quantity: 27						

Calculation Summary

Description	Avg	Max	Min	Min/Avg	Min/Max	Units	PrdPctL	PrdPctH	# Pts
Truck Park	29.1	50	1.2	0.40	0.24	Lux	4	4	5424
Centre of truck park between luminaires (Orange Line)	31.47	50.2	20.0	0.64	0.40	Lux			

Luminaire Schedule

Symbol	Qty	Label	Lum Lumens	MF	Description	Filename
☉	27	S065-S	77750	0.860	Supra LED 565W 284 LED 700mA 4000K, Symmetric, Area optic	S8R37280-SupraLED 535W Sym G4.mxd



Client: **COMHLACHT CHALAFORT ATHA CLATH DUBLIN PORT COMPANY**

ENGINEERING
M&S Building
Bond Road Extension
Dublin 3

Tel: 00 353 1 8555771
Fax: 00 353 1 8550487

rps MAKING COMPLEX EASY
Inishmone, Ballinacolly,
Co. Wick, Ireland
T +353 21 4665900
W www.rpsgroup.com/ireland
E ireland@rpsgroup.com

Project: **3FMProject** Bringing Dublin's Past to Life

Title: **Ro-Ro Terminal Yard (Area O) Lighting Calculation Design**

Model File Identifier: CP1901-3FM-RPS-S45-07-DR-E-0731

File Identifier: CP1901-3FM-RPS-S45-07-DR-E-0731

Created on: 02/03/2023
Scale: 1:1000 @ A0 @ A1

Sheets: 1
Status: S4
Rev: P04