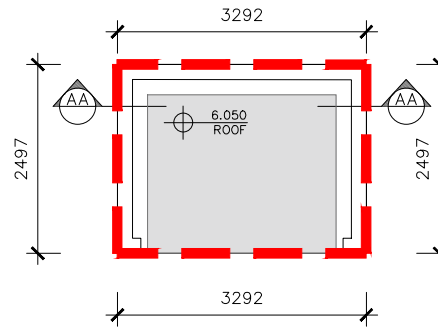
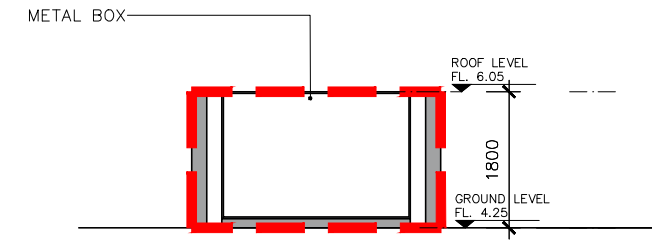


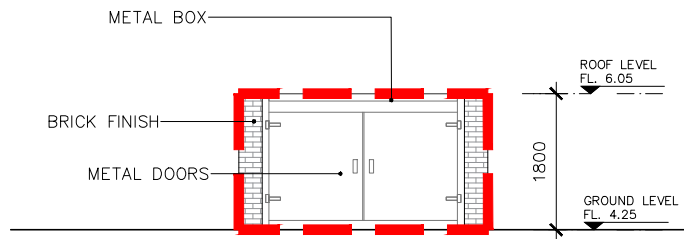
1 Existing Substation Building D - Ground Floor Plan  
EX-D-100 1:100



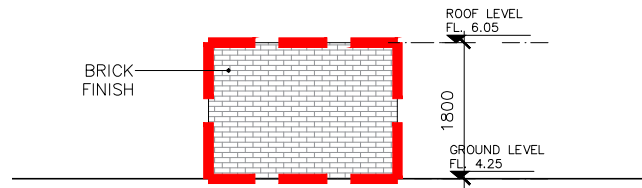
2 Existing Substation Building D - Roof Plan  
EX-D-100 1:100



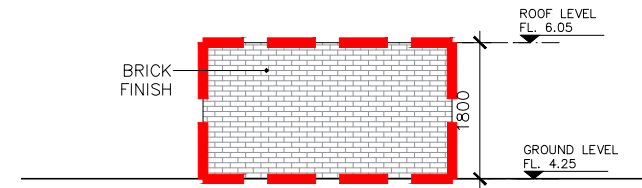
3 Existing Substation Building D - Section A-A  
EX-D-100 1:100



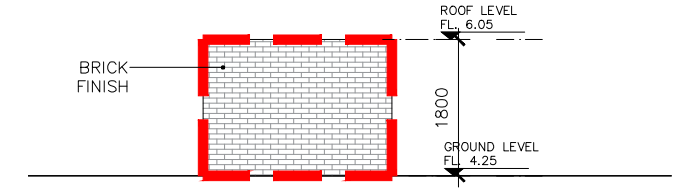
4 Existing Substation Building D - West Elevation  
EX-D-100 1:100



5 Existing Substation Building D - North Elevation  
EX-D-100 1:100



6 Existing Substation Building D - East Elevation  
EX-D-100 1:100



7 Existing Substation Building D - South Elevation  
EX-D-100 1:100

ISSUED FOR PLANNING ONLY, NOT FOR CONSTRUCTION

<p>NOTES:</p> <p>Do not scale from this drawing.</p> <p>Any discrepancies found on site to be reported to Darmody Architects immediately.</p> <p>Any discrepancies found on drawings to be reported to Darmody Architects immediately.</p> <p>Refer to engineers drawings for structural details.</p> <p>All dimensions sized to blockwork.</p>	<table border="1"> <tr> <th>Rev.</th> <th>Description</th> <th>Date</th> <th>Initials</th> </tr> <tr> <td>CVAL50381923</td> <td>@Talia Eireann - Surveying</td> <td></td> <td></td> </tr> </table>	Rev.	Description	Date	Initials	CVAL50381923	@Talia Eireann - Surveying			<p>DRAWING KEY</p> <p>--- Existing Buildings to be Demolished</p> <p>--- Existing Temporary Structures to be Removed</p>	<p>SCALE BAR (IN METERS)</p> <p>0 05</p>	<p>DRAWING KEY</p> <p>NOTE: NTS</p>	<p>NORTH POINT</p>	<p>creative innovative flexible</p> <p><b>darmody architecture</b></p> <p>91 Townsend Street, Dublin 2 353 1 672 9907 info@darmodyarchitecture.com darmodyarchitecture.com</p>	<p>Project: 3FM Project</p> <p>Title: Port Park: Existing Substation (Building D) to be demolished, Floor Plan, Roof Plan, Elevations &amp; Section</p> <p>Client: Dublin Port Company</p>
	Rev.	Description	Date	Initials											
CVAL50381923	@Talia Eireann - Surveying														
<p>Note: All drawings to be read in conjunction with RPS Consulting Engineers for subject 3FM Project proposals</p> <p>XREF'S CAD REF.</p>	<table border="1"> <tr> <th>Rev. No.</th> <th>Scale</th> <th>Date</th> <th>Drn. By</th> <th>Chkd. By</th> <th>Issue</th> </tr> <tr> <td></td> <td>1:100 @ A3</td> <td>04/07/2024</td> <td>Seán Barrett</td> <td>Tim Darmody</td> <td>Planning</td> </tr> </table>	Rev. No.	Scale	Date	Drn. By	Chkd. By	Issue		1:100 @ A3	04/07/2024	Seán Barrett	Tim Darmody	Planning	<p>Dwg. No. CP1901_005-DA-00-XX-DR-A-EX-D-100</p> <p>Job No. 23005</p>	
Rev. No.	Scale	Date	Drn. By	Chkd. By	Issue										
	1:100 @ A3	04/07/2024	Seán Barrett	Tim Darmody	Planning										