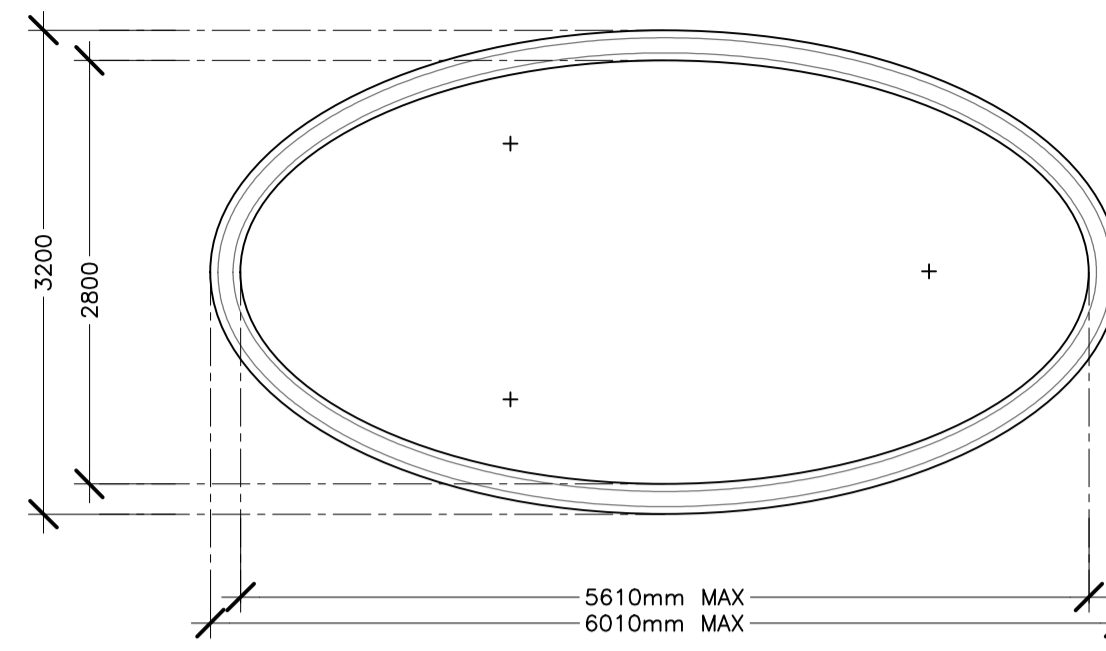
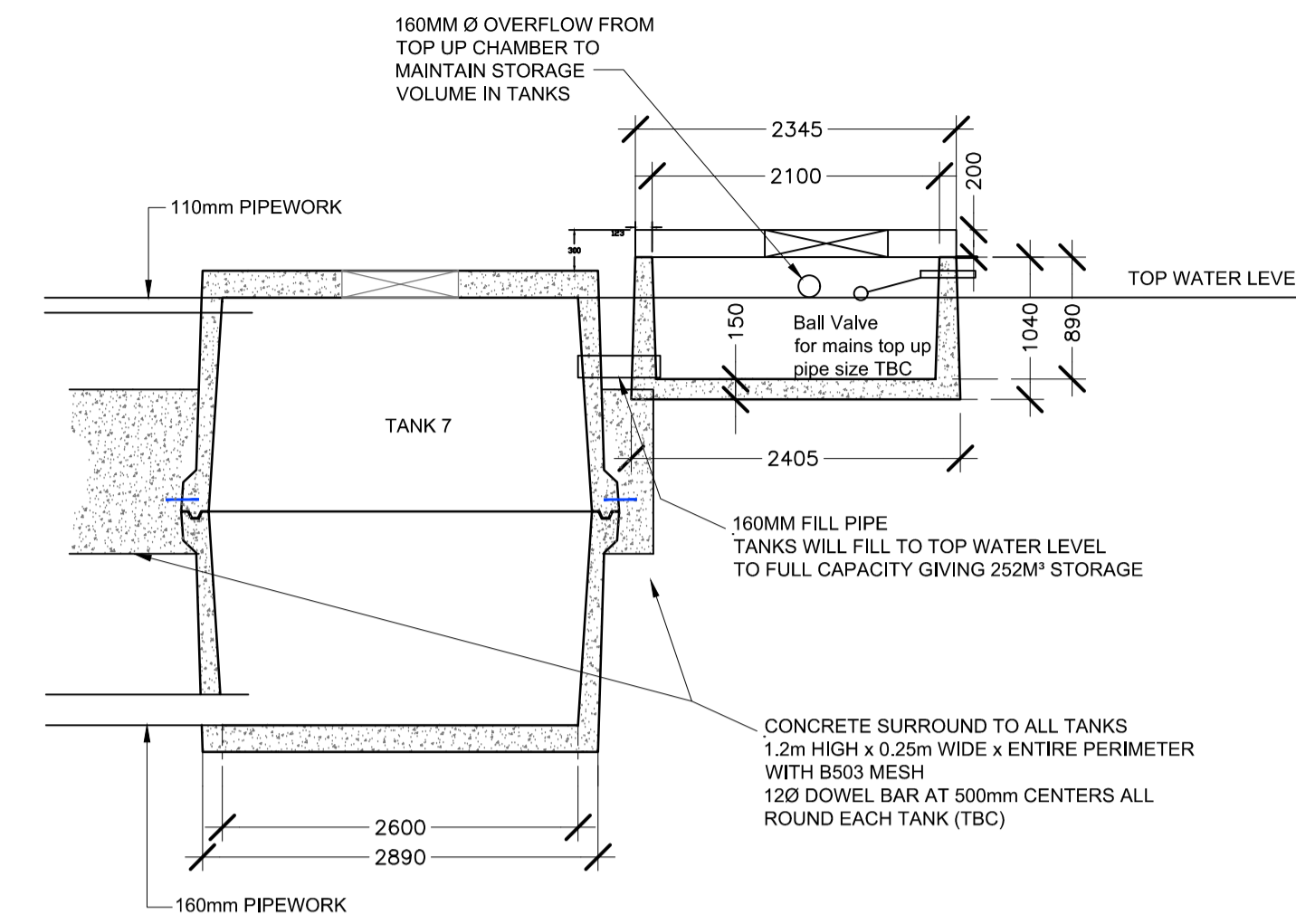


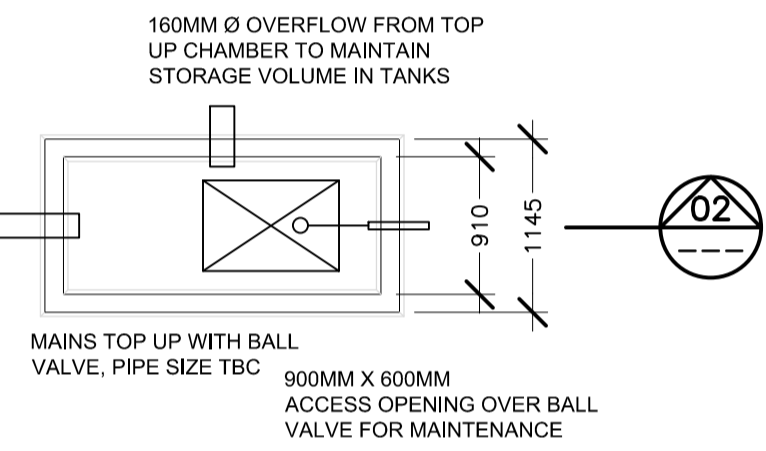
PLAN ON TANKS
SCALE 1:50



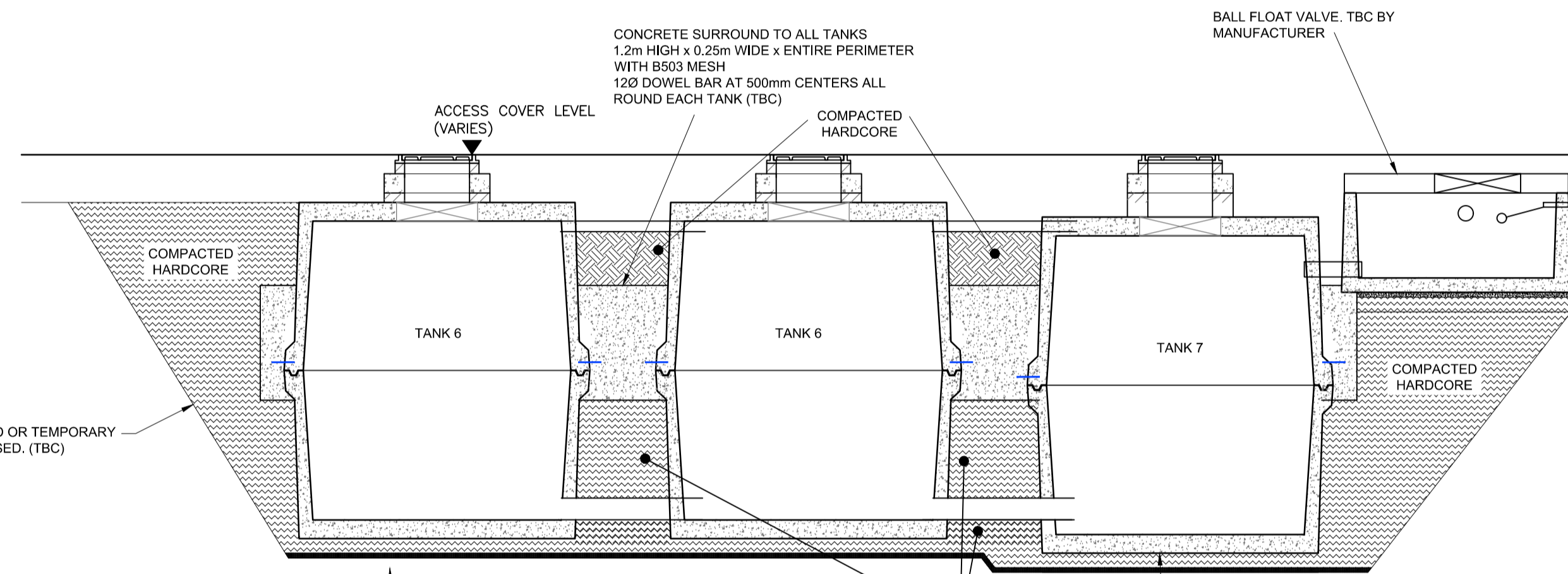
PLAN VIEW @ JOINT LEVEL
SCALE 1:50



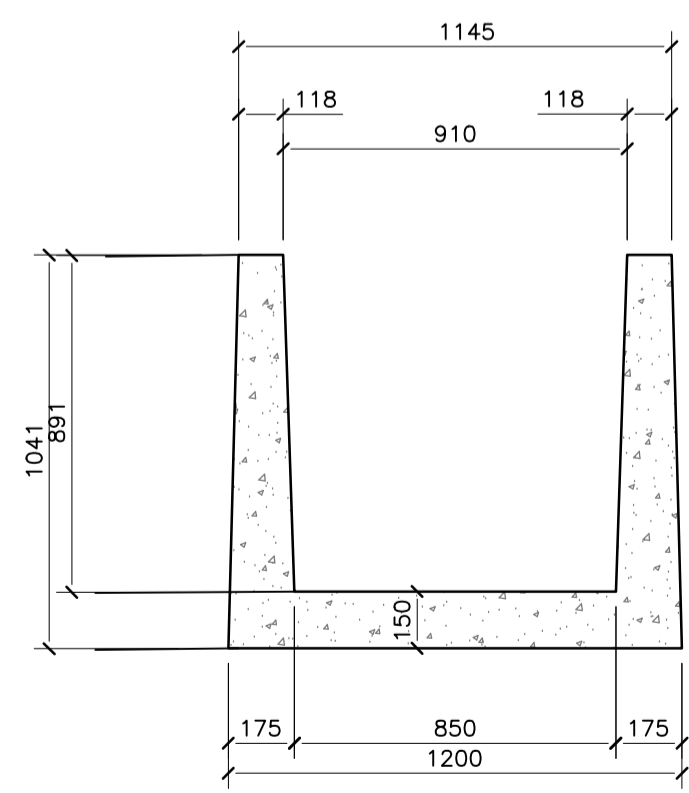
TYPICAL SHORT SECTION
SCALE 1:50



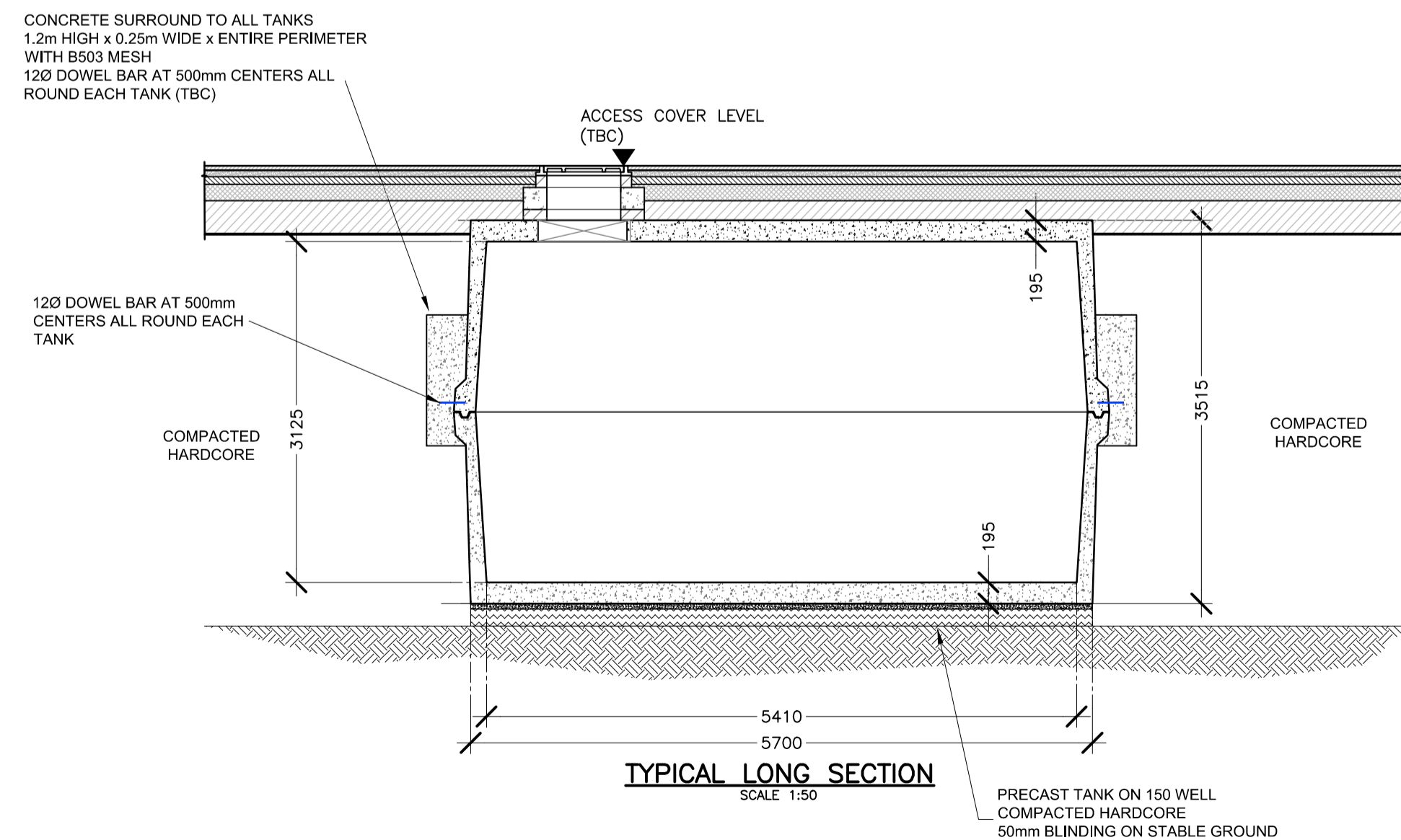
GROUND BANKED OR TEMPORARY WORKS TO BE USED. (TBC)



SECTION 02
AT SCALE 50
A3 SCALE 100



TOP UP CHAMBER (TYP. SECTION)
SCALE 1:20



TYPICAL LONG SECTION
SCALE 1:50

NOTES:

- THIS DRAWING IS TO BE READ IN CONJUNCTION WITH ALL RELEVANT ENGINEER'S AND ARCHITECT'S DRAWINGS, SPECIFICATIONS AND DESIGNER'S RISK ASSESSMENTS.
- ALL LEVELS ARE IN METRES TO ORDNANCE DATUM, MALIN HEAD.
- THE TOPOGRAPHICAL INFORMATION IS REPLICATED FROM INFORMATION RECEIVED FROM OTHERS AND IS ISSUED AS BACKGROUND INFORMATION ONLY.
- POSITION OF EXISTING WATERMAIN TO BE CONFIRMED PRIOR TO LAYING OF NEW WATERMAIN.
- ALL SERVICE PIPES TO M&E SPEC AND DETAIL CONNECTED TO WATERMAIN IN ACCORDANCE WITH IRISH WATER REQUIREMENTS.
- ALL WATERMANS AND ASSOCIATED FITTINGS TO BE CONSTRUCTED IN ACCORDANCE WITH IRISH WATER PUBLICATION "WATER INFRASTRUCTURE STANDARD DETAILS, DOCUMENT NUMBER: IW-CDS-5020-01 AND "CODE OF PRACTICE FOR WATER INFRASTRUCTURE" DOCUMENT NUMBER IW-CDS-5020-03
- NEW WATERMANS ARE TO BE INSTALLED WITH A MINIMUM COVER OF 900mm IN ACCORDANCE WITH THE IRISH WATER DETAIL STD-W-013 (SEE NOTE 5.)
- ALL SLUICE VALVE AND HYDRANT CHAMBERS ARE TO BE CONSTRUCTED FROM BLOCKWORK
- ALL MARKER POST AND PLATES ARE TO BE IN ACCORDANCE WITH IRISH WATER DETAIL STD-W-27 (SEE NOTE 5.)
- ALL THRUST BLOCKS ARE TO BE IN ACCORDANCE WITH IRISH WATER DETAIL STD-W-28 (SEE NOTE 5.)
- ALL SLUICE VALES TO BE IN ACCORDANCE WITH THE REQUIREMENTS CALLED UP ON IRISH WATER DETAIL STD-W-15 (SEE NOTE 5.)
- ALL HYDRANT TO BE IN ACCORDANCE WITH THE REQUIREMENTS CALLED UP ON IRISH WATER DETAIL STD-W-18 (SEE NOTE 5.)
- ALL AIR-VALVES TO BE IN ACCORDANCE WITH THE REQUIREMENTS CALLED UP ON IRISH WATER DETAIL STD-W-22-REV3 (SEE NOTE 5)
- ALL THRUST BLOCKS TO BE IN ACCORDANCE WITH THE REQUIREMENTS CALLED UP ON IRISH WATER DETAIL STD-W-28 RELEVANT TO THE ANGLE BEING SUPPORTED
- ALL WATER METER ACCESS POINTS REQUIRE MARKER POST & PLATES TO STD-W-27-REV3 TYPICAL.

Project Stage		PLANNING			
Client		DUBLIN PORT COMPANY			
Project Title		3FM PROJECT			
Drawing Title		MARITIME VILLAGE: FIRE FIGHTING STORAGE TANK DETAILS			
Drawing Number		CP1901_010-ROD-00-XX-DR-C-0042		Rev: P01	
Scale:	AS SHOWN @A1	Date:	MAR23	Job No:	22.149
Drawn:	LW	Checked:	SK	Approved:	BDG
Status Code		S5 - FOR REVIEW & ACCEPTANCE			