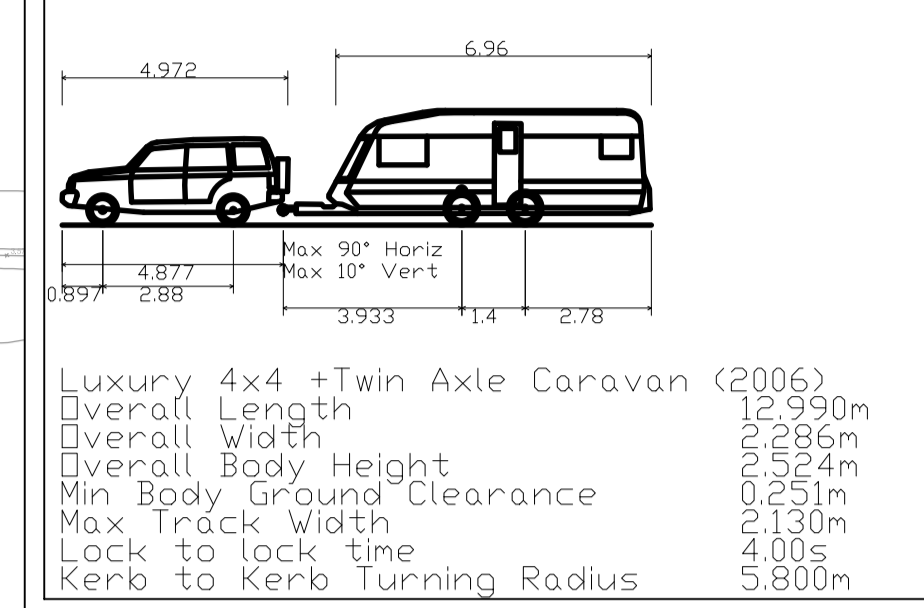


CAR & TRAILER
(NOT TO SCALE)

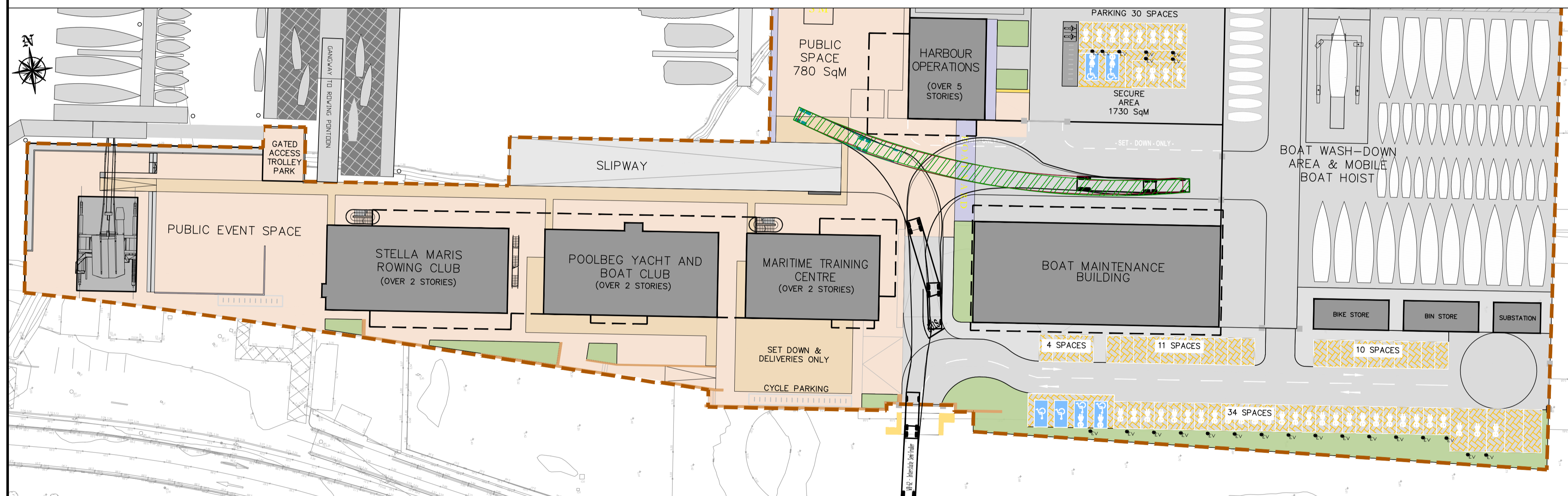


Luxury 4x4 +Twin Axle Caravan (2006)
 Overall Length 12.990m
 Overall Width 2.288m
 Overall Body Height 2.524m
 Min Body Ground Clearance 0.251m
 Max Track Width 2.130m
 Lock to lock time 4.00s
 Kerb to Kerb Turning Radius 5.800m

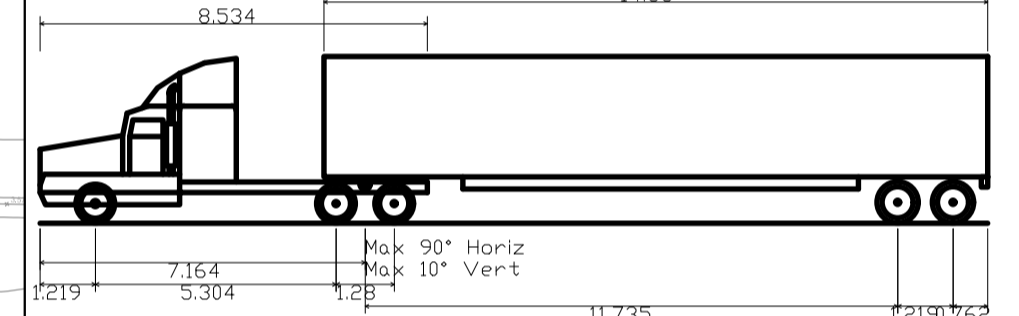
OVERSIZED VEHICLE USED FOR TRACKING PURPOSES. MOST LIKELY SINGLE AXLE TRAILER TO ENTER THE DROP OFF ZONE

- NOTES:**
- THIS DRAWING IS TO BE READ IN CONJUNCTION WITH ALL RELEVANT ENGINEER'S AND ARCHITECT'S DRAWINGS, SPECIFICATIONS AND DESIGNER'S RISK ASSESSMENTS.
 - ALL LEVELS ARE IN METRES TO ORDNANCE DATUM, MALIN HEAD.
 - THE TOPOGRAPHICAL INFORMATION IS REPLICATED FROM INFORMATION RECEIVED FROM OTHERS AND IS ISSUED AS BACKGROUND INFORMATION ONLY.

- LEGEND:**
- PROPOSED BUILDING
 - PROPOSED BUILDING OVERHANG
 - LANDSCAPE (REFER TO LANDSCAPE ARCHITECT'S DRAWINGS FOR DETAILS)
 - PROPOSED ROAD
 - PROPOSED FOOTPATH
 - PROPOSED PUBLIC SPACE (REFER TO LANDSCAPE ARCHITECT'S DRAWINGS FOR DETAILS)
 - PROPOSED PUBLIC SPACE (REFER TO LANDSCAPE ARCHITECT'S DRAWINGS FOR DETAILS)
 - PROPOSED PERMEABLE PAVING
 - PROPOSED WALL
 - EXTENT OF PROPOSED MARITIME VILLAGE/SUBJECT AREA OF DRAWINGS
 - ELECTRIC VEHICLE CHARGER
 - AUTO TRACK REVERSE MANEUVER

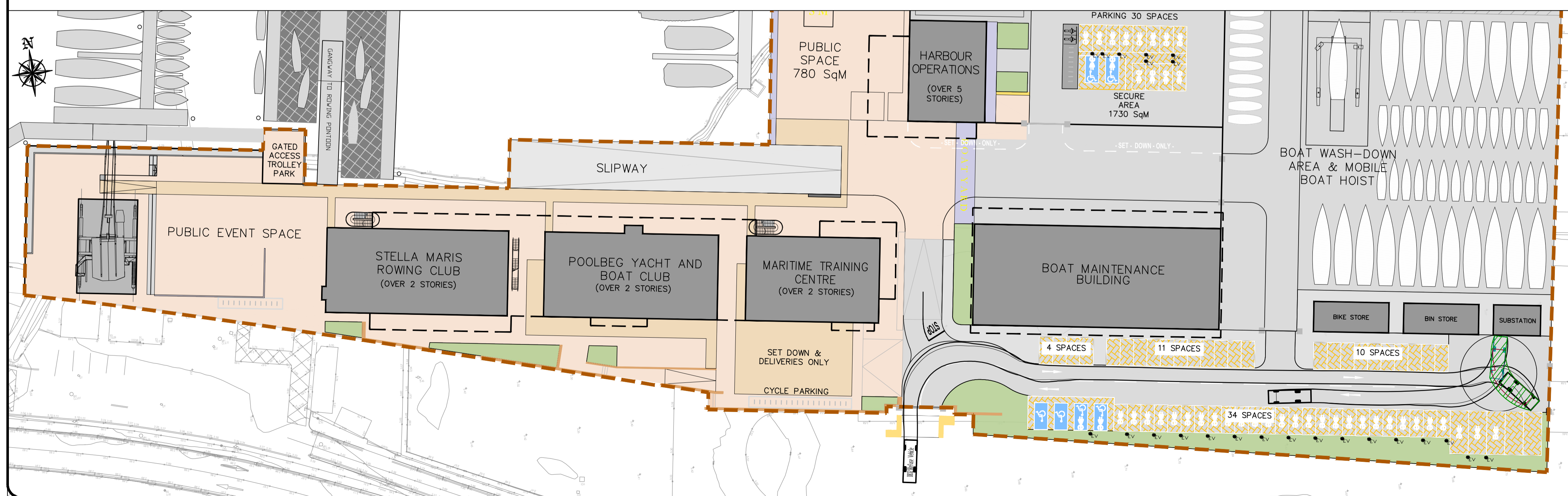


ARTICULATED LORRY
(NOT TO SCALE)

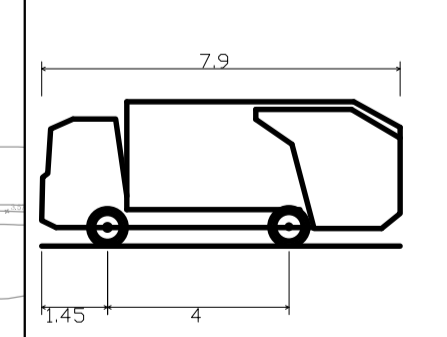


WB-62 - Interstate Semi-Trailer
 Overall Length 20.880m
 Overall Width 2.591m
 Overall Body Height 3.673m
 Min Body Ground Clearance 0.407m
 Max Track Width 2.591m
 Lock to lock time 6.00s
 Max Steering Angle (Virtual) 28.40°

ARTICULATED LORRY USED TO REPRESENT A VESSEL DELIVERY VEHICLE FOR 40-50ft BOATS



REFUSE VEHICLE
(NOT TO SCALE)



DB32 Refuse Vehicle
 Overall Length 7.900m
 Overall Width 2.400m
 Overall Body Height 3.183m
 Min Body Ground Clearance 0.388m
 Max Track Width 2.400m
 Lock to lock time 6.00s
 Kerb to Kerb Turning Radius 9.625m

REFUSE VEHICLE USED TO REPRESENT A VESSEL DELIVERY VEHICLE FOR 40-50ft BOATS

No.		Revision		Date	By	Chkd	App'd
P01		ISSUE FOR PLANNING		28/06/24	LW	SK	BDG
PLANNING							
Client		DUBLIN PORT COMPANY					
Project Title		3FM PROJECT					
Drawing Title		MARITIME VILLAGE: VEHICLE TRACKING SHEET 1 OF 2					
Drawing Number		CP1901_010-ROD-00-XX-DR-C-0090		Rev		P01	
Scale:	1:500@A1	Date:	MAR23	Job No:	22.149		
Drawn:	LW	Checked:	SK	Approved:	BDG	S5 - FOR REVIEW & ACCEPTANCE	