

ISSUED FOR PLANNING ONLY, NOT FOR CONSTRUCTION

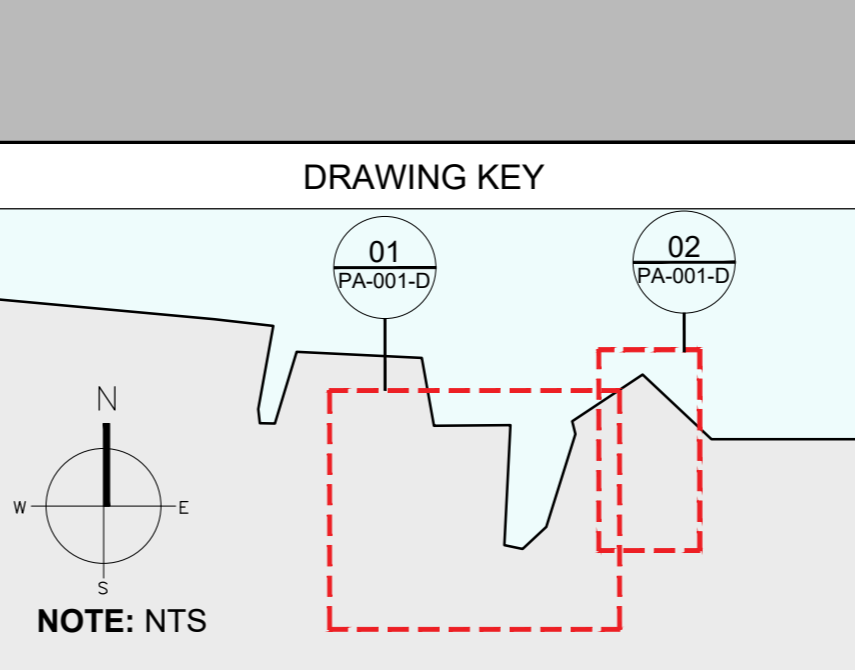
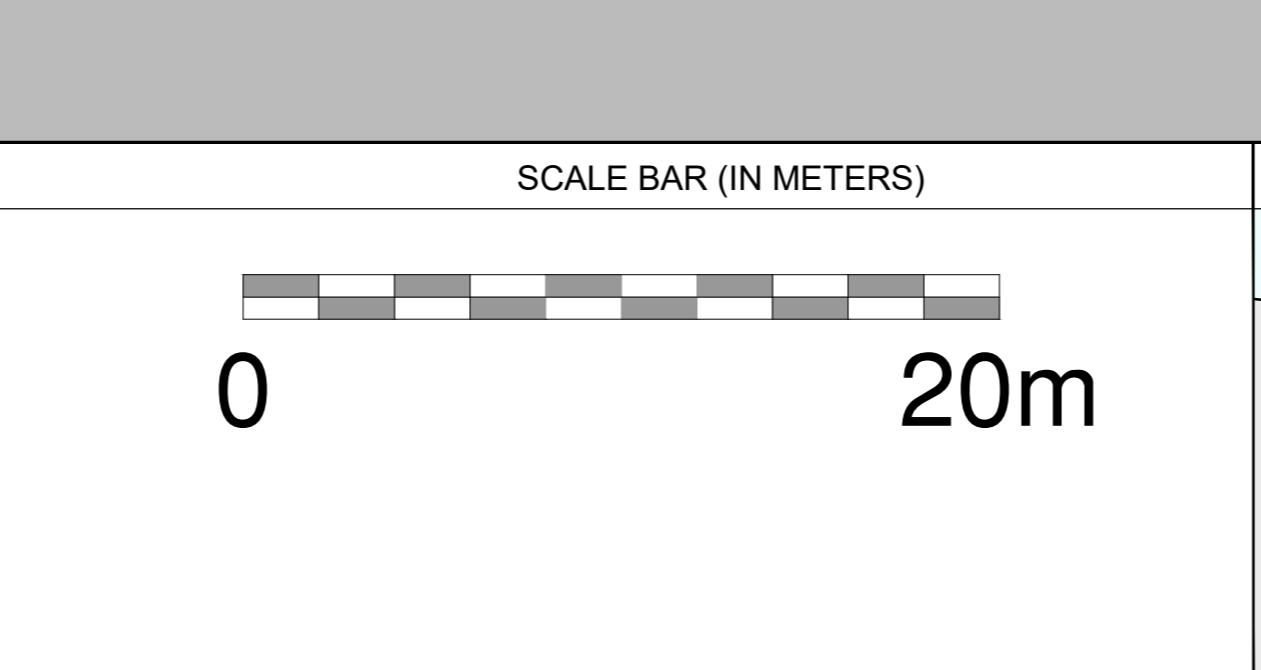
NOTES:
 Do not scale from this drawing.
 Any discrepancies found on site to be reported to Darmody Architects immediately.
 Any discrepancies found on drawings to be reported to Darmody Architects immediately.
 Refer to engineers drawings for structural details.
 All dimensions sized to blockwork.

Rev.	Description	Date	Initials
CYAL50381923	@Taille Eireann - Surveying.		

NOTE: DRAWINGS TO BE READ IN CONJUNCTION WITH TTT LANDSCAPE ARCHITECTS & RPS CONSULTING ENGINEERS
 NOTE: PLEASE REFER TO TTT PACKAGE FOR ALL PROPOSED LANDSCAPING AND PLANTING SPECIES

XREF'S
 CAD REF.

DRAWING KEY	
	Delineates Extent of the Pigeon House Harbour Character Area



creative innovative flexible

darmody
architecture

91 Townsend Street, Dublin 2
 353 1 672 9907
 info@darmodyarchitecture.com
 darmodyarchitecture.com

Rev. No.	Scale	Date	Drn. By	Chkd. By	Issue
	1:200 @ AD	05/07/2024	Sean Barrett	Tim Darmody	Planning

Project	3FM Project
Title	Active Travel Route: Pigeon House Harbour Character Area Proposed Plan
Client	Dublin Port Company
Dwg. No.	CP1901_011-DA-00-XX-DR-A-PA-001-D
Job No.	22071