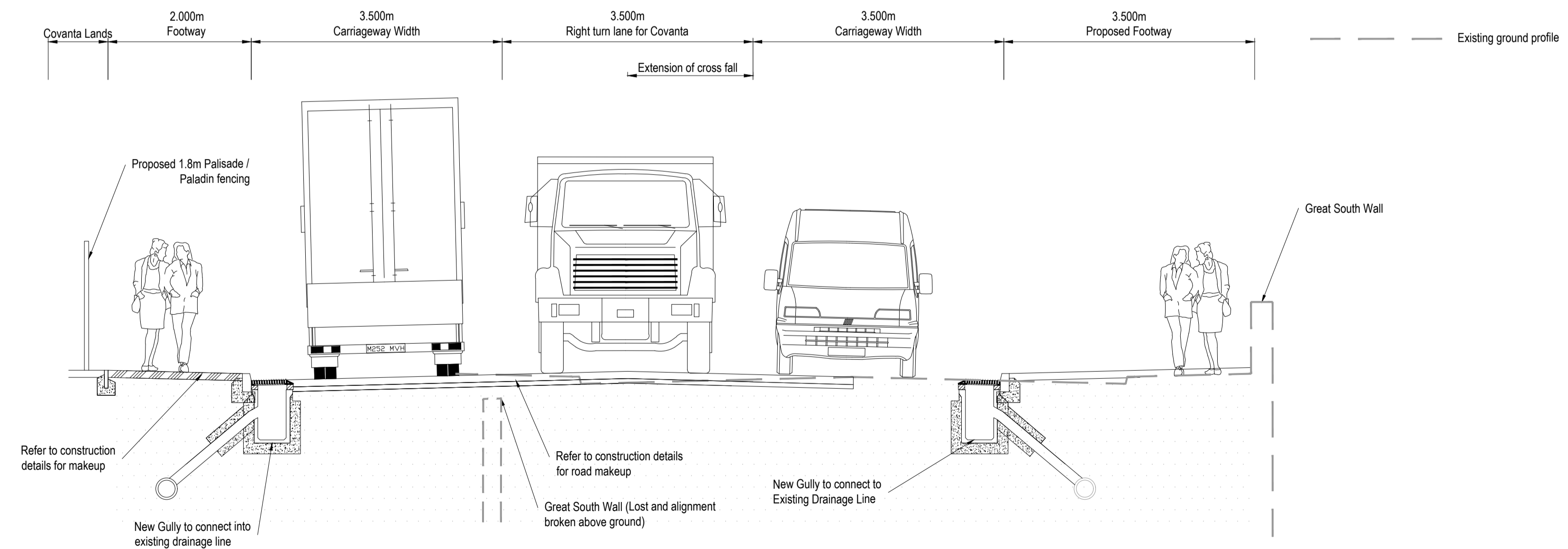
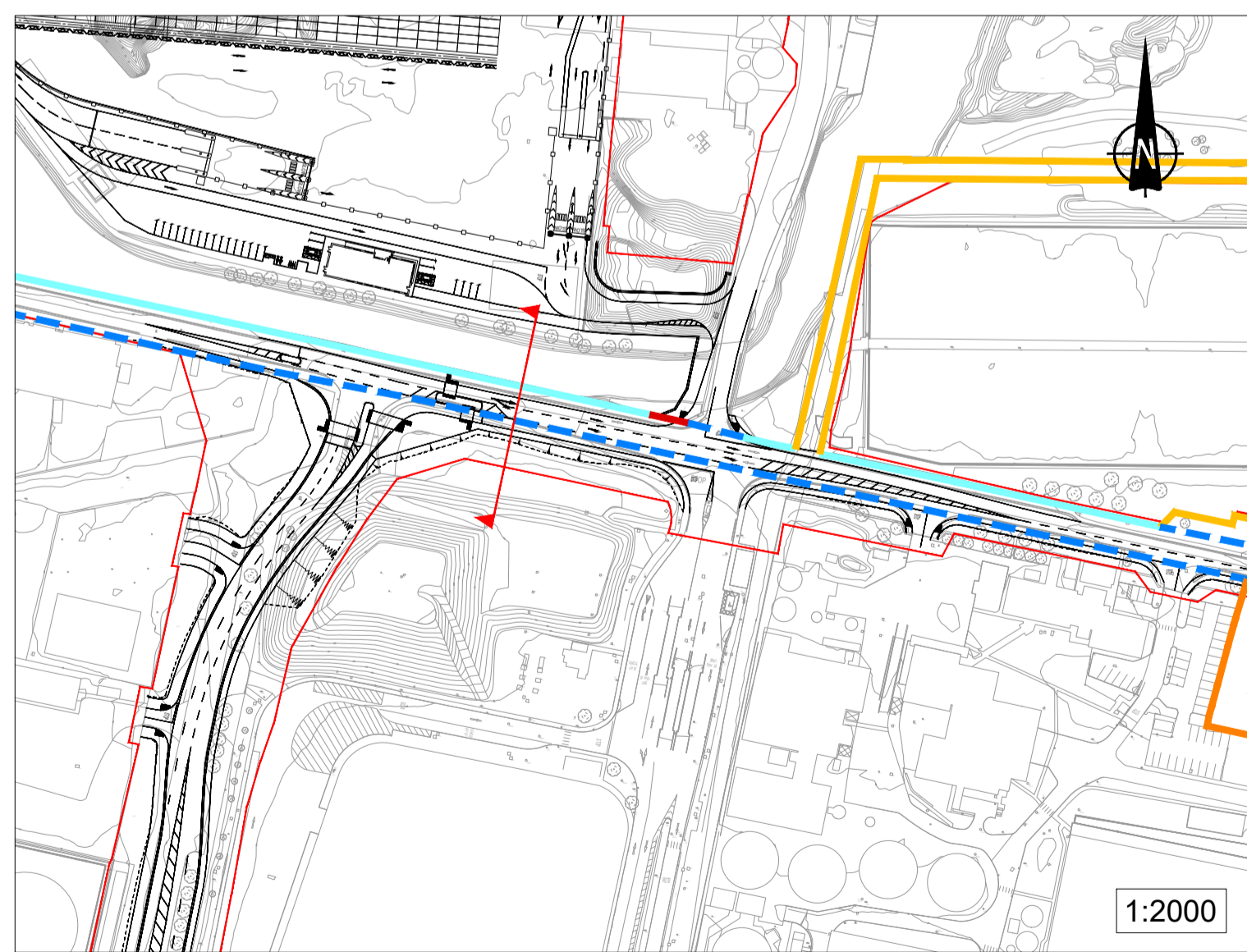


Typical Cross Section Shellybanks Road  
1:50



Typical Cross Section Pigeon House Road  
at Covanta Site  
1:50

**NOTES**

1. Verifying Dimensions.  
The contractor shall verify dimensions against such other drawings or site conditions as pertain to this part of the work.
2. Existing Services.  
Any information concerning the location of existing services indicated on this drawing is intended for general guidance only. It shall be the responsibility of the contractor to determine and verify the exact horizontal and vertical alignment of all cables, pipes, etc. (both underground and overhead) before work commences.
3. Issue of Drawings.  
Hard copies, dwf and pdf will form a controlled issue of the drawing. All other formats (dwg, dxf etc.) are deemed to be an uncontrolled issue and any work carried out based on these files is at the recipient's own risk. RPS will not accept any responsibility for any errors arising from the use of these files, either by human error by the recipient, listing of un-dimensioned measurements, compatibility issues with the recipient's software, and any errors arising when these files are used to aid the recipient's drawing production, or setting out on site.
4. OS Map Sheet No  
3198-13, 3198-14, 3198-15, 3198-18, 3198-19, 3198-20, 3198-23, 3198-24, 3198-25, 3264-03, 3264-04, 3264-05, 3264-08, 3264-09, 3264-10, 3264-13, 3264-14, 3264-15, 3264-18, 3264-19, 3264-20, 3199-11, 3199-12, 3199-13, 3199-14, 3199-15, 3199-16, 3199-17, 3199-18, 3199-19, 3199-21, 3199-22, 3199-23, 3199-24, 3265-01, 3265-02, 3265-03, 3265-04, 3265-06, 3265-07, 3265-08, 3265-09, 3265-10, 3265-11, 3265-12, 3265-16
5. Datum. ITM

**Plan Key**

- Proposed layout
  - - - Proposed earthworks
  - Existing Survey
  - Application Boundary
- Great South Wall (GSW) Key**
- GSW - Existing above ground structure
  - GSW later additions remaining (Pigeon House Fort & Harbour)
  - GSW later additions assumed below ground (Pigeon House Fort & Harbour)
  - GSW assumed below ground
  - Proposed restoration of GSW parapet
  - Proposed removal of GSW parapet
  - Proposed reconstruction of GSW parapet

P02	Revised for Planning submission	CD	27/08/24
P01	Revised for planning	PN	02/10/23
rev	amendments	check	date

**rps** Elmwood House  
74 Boucher Road  
Belfast  
BT12 6RZ  
T +44 (0) 28 90 667914  
F +44 (0) 28 90 668286  
W www.rpsgroup.com/ireland  
E ireland@rpsgroup.com

Client  
**COMHLACHT CHALAFORT  
ATHA CIATH  
DUBLIN PORT COMPANY**

Project  
**3FMProject** Bringing Dublin Port To 2040

Title  
**Roads & Footways (Southern & SPAR) -  
Typical Sections  
Sheet 3**

Project Number	Sheet Size	Drawing Scale
IBH0796	A1	As Shown

Drawing Number  
CP1901\_3FM-RPS\_S26-GEN-XX-DR-HE-100-0003

Drawn By	Status	Revision
DMI	S4	P02

Checked By	Approved By	Date
PN	CDo	Dec 2022